

Stagebar 2™

RGBAW

user manual

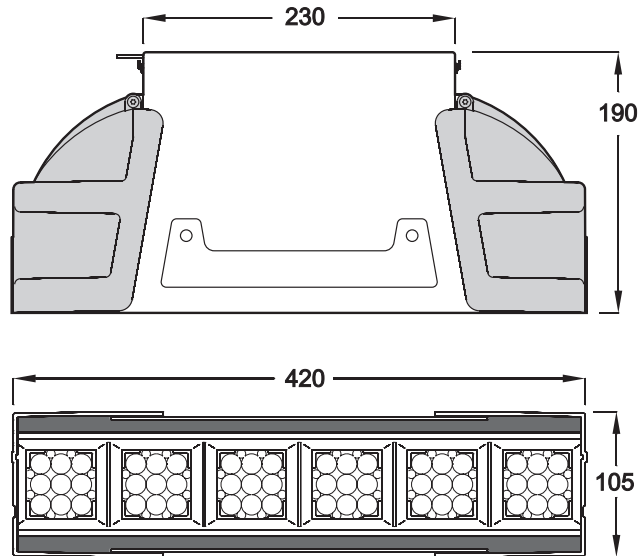


Martin®

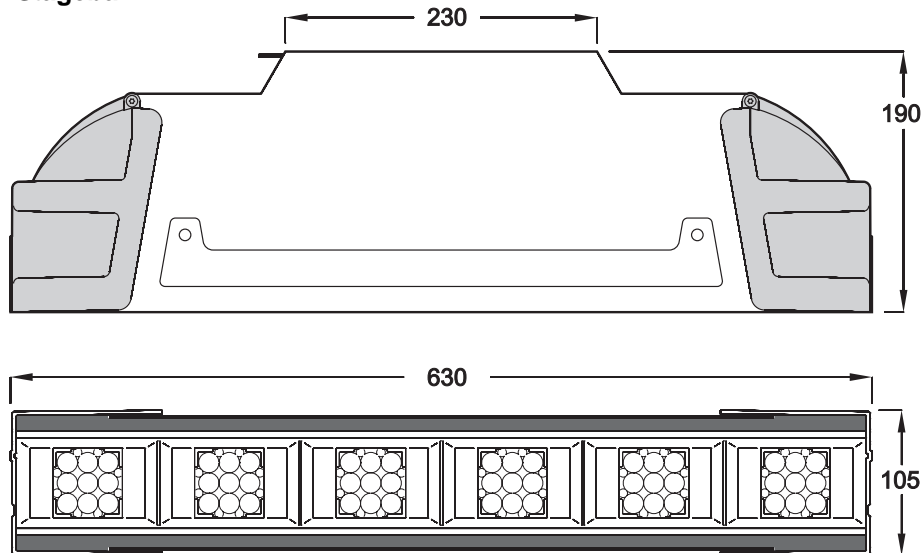
Dimensions

All dimensions are in millimeters

Stagebar 2 S



Stagebar 2 L



©2011 Martin Professional A/S. All rights reserved. No part of this manual may be reproduced, in any form or by any means, without permission in writing from Martin Professional A/S. Information subject to change without notice. Martin Professional A/S and all affiliated companies disclaim liability for any injury, damage, direct or indirect loss, consequential or economic loss or any other loss occasioned by the use of, inability to use or reliance on the information contained in this manual. The use of certain patents in Martin™ Stagebar™ products is licensed by Color Kinetics, Inc. (see details printed on product).

P/N 35000250, Rev. B

Safety Information



WARNING!

Read the safety precautions in this section before installing, powering, operating or servicing this product.

The following symbols are used to identify important safety information on the product and in this manual:



Warning!
Safety hazard.
Risk of severe injury or death.



Warning!
LED light emission. Risk of eye injury.



Warning!
Refer to manual before installing, powering or servicing.



Warning!
Hazardous voltage. Risk of lethal or severe electric shock.



Warning!
Fire hazard.



WARNING! Risk Group 3 LED product according to EN 62471. Do not look into the beam at a distance of less than 8.7 meters (28 ft. 7 ins.) from the front surface of the product. Do not view the light output with optical instruments or any device that may concentrate the beam.



This product is for professional use only. It is not for household use.

This product presents risks of severe injury or death due to fire hazards, electric shock and falls.



Read this manual before installing, powering or servicing the fixture, follow the safety precautions listed below and observe all warnings in this manual and printed on the fixture. If you have questions about how to operate the fixture safely, please contact your Martin™ dealer or call the Martin 24-hour service hotline at +45 70 200 201.



PROTECTION FROM ELECTRIC SHOCK

- Shut down power to the entire installation at the building's main power distribution board and lock out power (by removing the fuse for example) before carrying out any installation or maintenance work.
- Disconnect the fixture from AC power before removing or installing any cover or part and when not in use.
- Always ground (earth) the fixture electrically.
- Use only a source of AC power that complies with local building and electrical codes and has both overload and ground-fault (earth-fault) protection.
- Connect this fixture to AC power via 3-conductor cable that is heat resistant to minimum 90° C (194° F) and rated minimum 13 amp. In North America the cable must be minimum 16 AWG, extra hard usage type (STW or equivalent). In the EU the cable must be minimum 1.5 mm² conductor size and HAR approved or equivalent.
- Cables used for power throughput must meet the same specifications as those given above for power input cables.
- The voltage and frequency at the power throughput outlet are the same as the voltage and frequency applied to the power inlet. Only connect devices to the power outlet that accept this voltage and frequency.
- The total current draw of all the devices connected to the power throughput outlet of the first fixture in a chain must not exceed 11 amps.

- Before using the fixture, check that all power distribution equipment and cables are in perfect condition and rated for the current requirements of all connected devices.
- Do not use the fixture if the power cable or power plug are in any way damaged, defective or wet, or if they show signs of overheating.
- Do not expose the fixture to rain or moisture.
- Refer any service operation not described in this manual to a qualified technician.



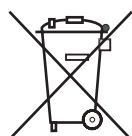
PROTECTION FROM FIRE

- Do not attempt to bypass thermostatic switches or fuses. Replace defective fuses with ones of the specified type and rating only.
- Provide a minimum clearance of 0.1 m (4 in.) around fans and air vents.
- Ensure that there are no combustible materials within 0.5 m (20 in.) of the fixture when installed, and that there are no flammable materials nearby.
- Do not modify the fixture or install other than genuine Martin™ parts.
- Do not stick filters, masks or other materials directly onto LEDs.
- Do not operate the fixture if the ambient temperature (T_a) exceeds 40° C (104° F).



PROTECTION FROM INJURY

- Do not look at LEDs from a distance of less than 8.7 meters (28 ft. 7 ins.) from the front surface of the fixture without protective eyewear such as shade 4-5 welding goggles. At less than this distance, the LED emission can cause eye injury or irritation. At distances of 8.7 meters (28 ft. 7 ins.) and above, light output is harmless to the naked eye provided that the eye's natural aversion response is not overcome.
- Do not look at LEDs with magnifiers, telescopes, binoculars or similar optical instruments that may concentrate the light output.
- Ensure that persons are not looking at the LEDs from within 8.7 meters (28 ft. 7 ins.) when the product lights up suddenly. This can happen when power is applied, when the product receives a DMX signal, when stand-alone operation starts or when certain items are selected in the onboard control menu.
- To minimize the risk of eye irritation or injury, disconnect the fixture from power at all times when the fixture is not in use, and provide well-lit conditions to reduce the pupil diameter of anyone working on or near the fixture.
- The surface temperature of the fixture can become hot, as much as 90° C (194° F). Avoid accidental contact.
- Install as described in this manual a secondary attachment such as a safety cable that is approved by an official body such as TÜV as a safety attachment for the weight of the fixture. The safety cable must comply with EN 60598-2-17 Section 17.6.6 and be capable of safely catching the fixture if the main attachment fails.
- Do not hang fixtures from each other. Use one clamp per fixture when suspending.
- When suspending the fixture, ensure that the structure and all hardware used can hold at least 10 times the weight of all devices suspended from them.
- Check that all external covers and rigging hardware are securely fastened.
- Block access below the work area and work from a stable platform whenever installing, servicing or moving the fixture.



Disposing of this product

Martin™ products are supplied in compliance with Directive 2002/96/EC of the European Parliament and of the Council of the European Union on WEEE (Waste Electrical and Electronic Equipment), as amended by Directive 2003/108/EC, where applicable.

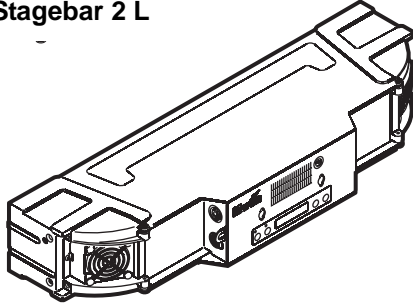
Help preserve the environment! Ensure that this product is recycled at the end of its life. Your supplier can give details of local arrangements for the disposal of Martin products.

Contents

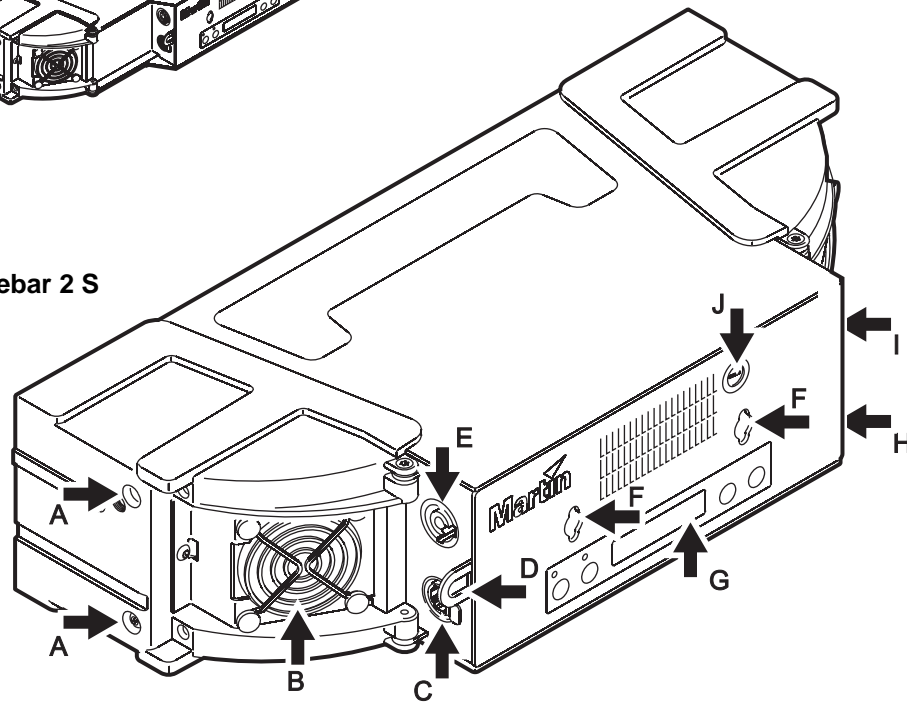
Dimensions	2
Safety Information.....	3
Product overview.....	6
Introduction	7
Unpacking	7
Using for the first time	7
Physical installation	8
Standing installation.....	8
Flying from a truss, bar or other structure	8
AC power.....	9
Connecting to power	9
Relaying power to other devices	10
Control data link.....	11
Connecting the data link	11
Fixture setup.....	12
DMX mode.....	12
Fixture settings and DMX channel requirements.....	13
DMX addresses	13
Fixture readouts.....	13
Other control menu features	14
Operation	15
Color control	15
Stand-alone operation	15
Service and maintenance.....	16
Adjustable floorstand/mounting bracket accessory	16
Cleaning.....	16
Removing and installing LED lens sheets	17
Installing and removing the diffuser front.....	18
Fuse replacement	18
Battery service	19
Software installation.....	19
DMX protocols	20
All pixels controlled together	20
Pixels controlled in groups.....	21
Onboard control panel menus.....	22
Display messages.....	24
Troubleshooting	25
Stagebar 2™ specifications.....	26

Product overview

Stagebar 2 L



Stagebar 2 S



A - End cap release screws

B - Cooling fan

C - Data output connector (5-pin female XLR)

Use to relay DMX control data to the next fixture.

D - Safety attachment eye

Use only this attachment point for secondary attachment (e.g. safety cable).

E - Power throughput outlet (PowerCon light grey)

Connect a power cable via a light-grey Neutrik PowerCon connector to lead power to the next fixture. The total current draw of all the devices connected to the power throughput outlet of the first fixture in the chain must not exceed 15 amps peak, 11 amps constant.

F - Quarter-turn mounting points

Use to attach an omega bracket or floorstand/mounting bracket accessory.

G - Control panel/display

H - Data input connector (5-pin male XLR)

Connect to DMX control data from the controller or previous fixture.

I - Power inlet (PowerCon blue)

Connect a power cable with a blue Neutrik PowerCon connector from a 100-240 VAC nominal 50/60 Hz power source.

J - Primary fuseholder

Replace fuse with one of same type and rating only.

Figure 1: Connections panel

Introduction

Thank you for selecting the Stagebar 2™, a modular LED-based color changer and pixel display fixture from Martin™. This product features:

- Cree XP-E high-power LEDs
- 150 watts total LED output per fixture at 25° C (77° F)
- RGBAW (red, green, blue, amber, white), and RGB color mixing, HSIC (hue, saturation, intensity, color temperature) and HSI color management
- 54 LEDs arranged into 6 pixels per fixture
- Individual (6 x 1) or grouped (1 x 6, 2 x 3 or 3 x 2) pixel control
- DMX 512A control
- Control data in/out via 5-pin XLR connectors
- Control panel and full text backlit LCD display with battery power for offline setting and addressing
- Auto-sensing power supply unit with 100 - 240 V, 50/60 Hz operating range
- Daisy-chainable power link
- Power in/out via Neutrik PowerCon locking connectors
- Quarter-turn fastener mounting points
- Narrow diffuser front supplied
- Short (Stagebar 2 S) and long (Stagebar 2 L) models. To simplify the combination of different models in installations, three short models have the same length as two long models.

The Martin Stagebar 2 is based on the successful Stagebar 54 that was launched in 2007, but the Stagebar 2 has been extensively revised. Besides new, more powerful LEDs and newly designed lenses with a tighter beam angle, the Stagebar 2 features 5-pin XLR instead of RJ-45 DMX data connectors.

For the latest firmware updates, documentation, and other information about this and all Martin Professional™ products, please visit the Martin website at <http://www.martin.com>

Comments or suggestions regarding this user manual may be e-mailed to service@martin.dk or posted to Technical Documentation, Martin Professional A/S, Olof Palmes Allé 18, DK-8200 Aarhus N, Denmark.

This device complies with Part 15, Class A of the FCC Rules. Operation is subject to the following two conditions: (1) This device may not cause harmful interference, and (2) this device must accept any interference received, including interference that may cause undesired operation.

This Class A digital apparatus meets all requirements of the Canadian Interference-Causing Equipment Regulations. *Cet appareil numérique de la classe A respecte toutes les exigences du Règlement sur le Matériel Brouilleur du Canada.*

Unpacking

The following items are included with the Stagebar 2:

- Neutrik PowerCon power input connector
- Opal front cover
- Narrow-angle diffuser filter
- Omega rigging clamp attachment bracket with quarter-turn fasteners
- This user manual

Using for the first time

Before applying power to the fixture:

- Read the "Safety Information" section that starts on page 3.
- Check that the local AC power voltage is within the ranges listed on the serial number label and in "AC power" on page 9.
- Install the supplied Neutrik PowerCon power input cable connector on a suitable power cable as described in "Connecting to power" on page 9.

Physical installation

The Stagebar 2 can be placed on a level, stable surface, installed on the floorstand/mounting bracket available as an accessory (P/N 71606007) or suspended in any orientation from a truss or supporting structure using the supplied omega bracket and a rigging clamp. Suitable rigging clamps are available from Martin.



Warning! Read the “*Safety Information*” section that starts on page 3 before installing the Stagebar 2.

If the diffuser front is installed, there is no eye hazard at any distance.

Standing installation

If you install fixtures in a standing position:

1. Install fixtures on a level, stable surface where they do not present a hazard of tripping or falling.
2. Stack a maximum of four fixtures vertically and secure stacked fixtures so that they cannot fall over.

Flying from a truss, bar or other structure

To fly a fixture from a rig or other structure:

1. Check that the supporting structure can bear at least ten times the weight of all installed devices, cables, etc.
2. Install a rigging clamp on the supplied omega bracket, then fasten the omega bracket to the fixture using the quarter-turn mounting points on the rear panel (see Figure 1 on page 6). Ensure that quarter-turn fasteners are turned a full 90° clockwise to lock them (see Figure 2).
3. Block access under the work area. Working from a stable platform, suspend the fixture by fastening the rigging clamp to the truss or structure.
4. As soon as a fixture is fastened in place, install an approved secondary attachment such as a safety cable passed through the safety attachment eye (see **D** in Figure 1 on page 6) to secure it.

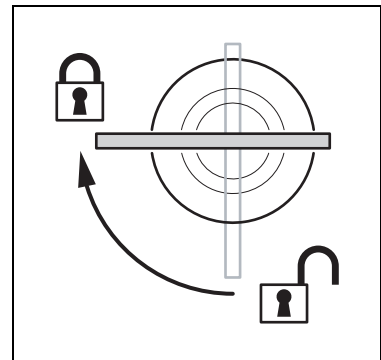


Figure 2: Locking a quarter-turn fastener

AC power



Warning! Read the “Safety Information” section that starts on page 3 before connecting the Stagebar 2 to AC power.



Warning! For protection from electric shock, the Stagebar 2 must be grounded (earthed). The power distribution circuit must be equipped with a fuse or circuit breaker and ground-fault (earth-fault) protection.

Warning! The Stagebar 2 does not have a power on/off switch. Socket outlets or external power switches used to supply the Stagebar 2 with power must be located near the fixture and easily accessible so that the fixtures can easily be disconnected from power.

Important! Do not insert or remove live Neutrik PowerCon connectors to apply or cut power, as this may cause arcing at the terminals that will damage the connectors.

Important! Do not supply the fixture with power via an external dimming system, or you may cause damage to the fixture that is not covered by the product warranty.

The Stagebar 2 features an auto-sensing switch-mode power supply that automatically adapts to 100 - 240 V nominal AC power at 50 or 60 Hz. Only connect the fixture to AC power within this voltage range.

The fixture is protected by a 4 amp slow-blow primary fuse located in a fuseholder on the rear panel (see Figure 1 on page 6).

Connecting to power

Power is supplied to the fixture via a blue Neutrik PowerCon inlet that accepts a blue PowerCon NAC3FCA cable connector. Power can be relayed to another device via the light-grey PowerCon outlet that accepts a light-grey PowerCon NAC3FCB cable connector. Note that blue input and light-grey output connectors have different designs: one type cannot be connected to the other.

The user must install the supplied PowerCon cable connector on a power cable that meets the specifications listed under “Protection from electric shock” on page 3.

There is no separate power on/off switch: power is applied to the fixture as soon as power is applied to its power input cable.

If you install a power plug that is suitable for your AC power outlets on the power cable, use a grounding-type (earthed) plug that is rated 13 A minimum. Follow the plug manufacturer’s instructions. Table 1 shows some possible pin identification schemes; if pins are not clearly identified, or if you have any doubts about proper installation, consult a qualified electrician.

Wire Color (EU)	Wire Color (US)	Pin	Symbol	Screw (US)
brown	black	live	L	yellow or brass
blue	white	neutral	N	silver
yellow/green	green	ground (earth)		green

Table 1: Wire color-coding and power connections

Relaying power to other devices



Warning! The total current draw of all devices connected to the first fixture's power outlet must not exceed 11 amps.

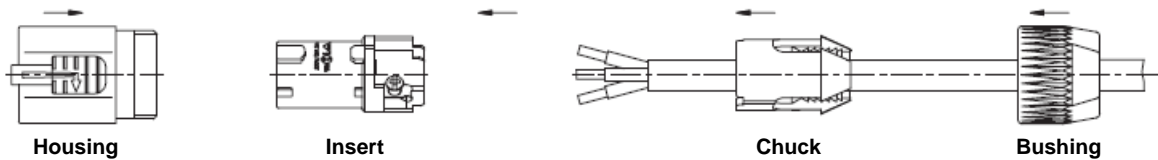


Fixtures can be linked in a chain, power outlet to power inlet, so that they all draw power via the first fixture. Power throughput cables must meet the same specifications as power input cables (see above). Install a grey PowerCon NAC3FCB power output cable connector on one end of the power throughput cable and a blue PowerCon NAC3FCA on the other (see "Installing a PowerCon connector on a power cable" on page 10).

The total current draw of all the fixtures *in the chain after the first fixture* must not exceed 11 amps constant. See the following examples for an explanation of what this means in practice:

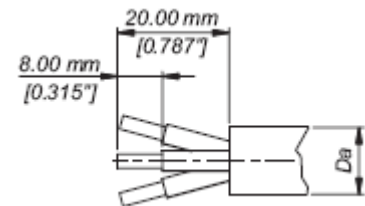
- At **100 V AC** power, a **maximum of five Stagebar 2 fixtures** may be linked in one chain so that they draw AC power from the same source. As stated in the Stagebar 2 Specifications (see page 27), each fixture draws a current of 2.5 A at 100 V. The first fixture will draw a current of 2.5 A. The four fixtures linked to the first fixture will draw a total of 10 A, which is within the 11 A limit for constant current draw.
- At **230 V AC** power, a **maximum of 11 Stagebar 2 fixtures** may be linked in one chain so that they draw AC power from the same source. Each fixture draws a current of 1.1 A at 230 V. The first fixture will draw a current of 1.1 A. The ten fixtures linked to the first fixture will draw a total of 11 A, which is equal to the 11 A limit for constant current draw.

Installing a PowerCon connector on a power cable

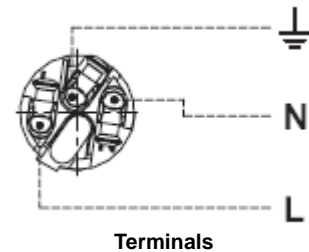


To install a Neutrik PowerCon connector on a power cable:

1. Slide the bushing over the cable.
2. Slide the white chuck over cables with a diameter (D_a) of 5 - 10 mm (0.2 - 0.4 in.), or the black chuck over cables with a diameter of 10 - 15 mm (0.4 - 0.6 in.).
3. Prepare the end of the cable by stripping 20 mm (0.8 in.) of the cable's outer jacket.
4. Strip 8 mm (1/3 in.) from the end of each of the wires.
5. Insert each of the wire ends into the appropriate terminal (see instructions and Table 1 above) and fasten the clamping device using a small flathead screw driver.
6. Push and insert the chuck into the housing (note that there is a raised key on the chuck to ensure that it is oriented correctly).
7. Fasten the bushing using a wrench to a torque of 2.5 Nm (1.8 lb.-ft).



Cable end



Terminals

Illustrations above used by kind permission of Neutrik AG

Control data link

Stagebar 2 fixtures must be connected via a control data link for DMX controller operation. The following considerations must be taken into account when planning the data link:

- DMX cable of a suitable type and 5-pin XLR connectors must be used. Flexible cable with good bend and torsion recovery is required for touring installations. Martin DMX cables are recommended.
- The maximum permitted control data cable length before a control signal amplifier is required is 500 meters (1640 ft.) if AWG 14 cable is used, or 300 meters (984 ft.) if AWG 16 cable is used.
- Fixtures must be 'daisy-chained', i.e. the data cable must be connected in one single chain of fixtures.
- Each chain may connect a maximum of 32 fixtures.
- An optically isolated amplifier-splitter such as the Martin DMX 5.3 Splitter (P/N 90758140) must be used to:
 - extend a link beyond the maximum permitted control data cable length,
 - extend the link to include a further maximum 32 fixtures, or
 - branch the link into further single chains, each containing 32 fixtures. The Martin DMX 5.3 Splitter allows a link to be branched into five new chains.
- Each chain on the link must be terminated by inserting a DMX termination plug into the data output of the last Stagebar 2 on the chain. The termination plug places a 120 ohm resistance across data hot (+) and cold (-).
- Long parallel runs of AC power and control data cables may cause interference on the data link and must be avoided.
- One DMX universe has 512 DMX control channels available. If individual control of the Stagebar 2 fixtures in an installation is required, each fixture must be given its own channels until the limit of 512 is reached. At this point, a new DMX universe must be created before more fixtures can be added.
- The number of Stagebar 2 fixtures that can be individually controlled in one DMX universe depends on the number of DMX channels they use, which in turn depends on which mode they are set to. For example, if fixtures are set to individual pixel control in HSI mode, they will each require 18 DMX channels (one channel for hue, one for saturation and one for intensity on each of six pixels). The total number of fixtures that can be linked in one DMX universe will therefore be $512/18 = 28$. See Table 2 on page 13 for an overview of the number of DMX channels required by Stagebar 2 fixtures in different modes.

Connecting the data link

The Stagebar 2 has a 5-pin male XLR connector for data input and a 5-pin female connector for data output. Both connectors are located on the connections panel and have standard XLR DMX pin-out.

To connect the data link:

1. Cut power to all devices. If the fixture has been in use, allow it to cool for at least 10 minutes.
2. Connect a suitable cable to the DMX output socket on the DMX controller and route it to the first fixture on the link.
3. Connect the cable to the first fixture's DMX input socket, and continue adding fixtures, connecting DMX output to DMX input sockets.
4. On the last fixture in each chain on the link, insert a DMX termination plug in the DMX output socket.
5. When you have made all connections, set up the fixtures as described in the next section of this manual before applying power.

Fixture setup

The control panel and backlit LCD display on the Stagebar 2's rear panel allows you to set DMX addresses and alter various fixture settings. The Stagebar 2's onboard battery makes the most important fixture setup functions – such as DMX address setting – available when the fixture is not connected to AC power.

- Press **Menu** to access the menu or go up one level.
- Press **Enter** to confirm a selection.
- Press **Up** and **Down** to navigate in the menus.

The current menu level is displayed in capital letters and sub-menus or menu items are displayed in small letters in the LCD display.

See “Onboard control panel menus” on page 23 for an overview of the menus available in the control panel.

DMX mode

Color control mode

Martin use the highest quality components based on the most advanced technology available. However, despite rigorous quality assurance and manufacturing tolerances, there are very small variations in color rendition between LEDs. Stagebar 2 fixtures are therefore tested and set up at the factory so that pixels give evenly matched color in RGB, HSI and HSIC modes. Settings are stored in EEPROM on fixtures' main PCBs.

The **DMX MODE** → **control mode** menu allows you to set the fixture to respond in one of four color control modes:

RGB (red, green, blue)

In RGB mode, all LEDs (including amber and white) are active in red, blue and green color output. The intensity of each color is controlled on one DMX channel, giving RGB additive color mixing.

RGBAW (red, green, blue, amber, white)

RGBAW is a 'raw' control mode in which the intensity of each color LED is controlled on one DMX channel. LED intensity is thus not managed by the fixture software based on its factory settings, but is controlled directly by the user. The factory settings are designed to ensure even color rendition across pixels and fixtures. By bypassing these, RGBAW mode can allow slightly more saturated color.

HSI (hue, saturation, intensity)

In HSI mode, one DMX channel controls hue (selects a color), one channel controls saturation (adjusts depth of the selected color) and one channel controls intensity (brightness of the selected color).

HSIC (hue, saturation, intensity, color temperature)

HSIC mode is identical to HSI mode, but with the addition of color temperature control on a fourth DMX channel that allows easy adjustment of the color temperature of white light output.

Pixel grouping

The **DMX MODE** → **pixel grouping** menu also allows you to set up pixel control (one pixel is one of the six blocks of LEDs in a Stagebar 2). You can control each pixel individually, so that each pixel displays its own color and is controlled using its own DMX channels, or you can control pixels in groups. Pixels in a group use the same DMX channels and behave identically. The options available are:

- **1** (each pixel is controlled individually)
- **2** (pixels are controlled in pairs, giving three groups of 2 pixels)
- **3** (pixels are controlled in two groups of 3 pixels)
- **All** (all pixels are controlled together in one group)

Pixel left/right inversion

The **DMX MODE** → **pixel invert** command allows you to swap the pixels from left to right so that pixel 1 becomes pixel 6, pixel 2 becomes pixel 5, and so on. This feature can be used to obtain mirror effects, or to simplify control if certain fixtures are installed upside-down in your installation.

Fixture settings and DMX channel requirements

Depending on the DMX mode and pixel control setting selected in the control menus, each fixture uses the number of DMX channels shown in Table 2.

For example, a fixture in DMX mode **HSI**, with pixel grouping set to **3** (in which pixels are controlled in two groups of 3 pixels), will use six DMX channels. The first three channels will control hue, saturation and intensity on the first 3 pixels, and the next three channels will control HSI on the remaining 3 pixels.

To give another example, a fixture in DMX mode **RGBAW** and pixel grouping set to **2** (in which pixels are controlled in three groups of 2 pixels) will use 15 DMX channels. The first five channels will control RGBAW on the first group of 2 pixels. The next five channels will control RGBAW on the next group, and the next five channels will control RGBAW on the last group.

Pixel control setting	RGB mode	RGBAW mode	HSI mode	HSIC mode
1 (individual control)	18	30	18	24
2 (three groups of 2 pixels)	9	15	9	12
3 (two groups of 3 pixels)	6	10	6	8
all (1 group of 6 pixels)	3	5	3	4

Table 2: DMX channels required in different control modes

DMX addresses

The DMX address, also known as the start channel, is the first of the DMX channels used to receive instructions from the controller. If two fixtures are set to the same mode and share the same DMX address, they will behave identically. For individual control, each fixture must have its own channels. Thus, if a fixture has DMX address 1 and uses 18 channels, the DMX address of the next fixture must be set to 19, and so on.

Setting DMX addresses

The fixture's DMX address can be set manually using **ADDRESS** → **man. address** in the control panel. Press **Enter**, then use the up and down buttons to set the address.

The fixture's battery power means that the fixture does not have to be connected to mains power for address setting.

Fixture readouts

Fixture info

Gives information about currently installed software version, total hours of use and temperature of PCBs. For each PCB, the Stagebar 2 can display:

- the current temperature
- the highest temperature logged since the fixture was reset (fixtures reset each time they are powered on), or
- the highest temperature logged since the fixture was manufactured.

Temperatures are given in degrees Celsius and Fahrenheit.

DMX link info

Gives information about the characteristics and quality of the DMX signal the fixture is receiving.

Other control menu features

Adjustment

The **ADJUSTMENT** menu gives manual control of the output for individual colors. This feature allows you to test LEDs or set a static color display without using a DMX controller.

Test sequence

TEST SEQUENCE runs a test of all LEDs, fans, indicator LEDs and the LCD display for service purposes.

Software upload

Select **UTILITIES** → **software upload** before uploading new software.

Restoring factory settings

UTILITIES → **factory setting** reloads the default factory settings.

Switching between cooling fan modes

The **UTILITIES** → **fan mode** settings allow you to set the cooling fans to run in one of two modes:

- **regulated** (fans are thermostatically controlled, giving quietest operation)
- **full speed** (fans run at full speed while power is applied).

'Silent' mode

Enabling **UTILITIES** → **silent mode** lets you limit overall light output intensity to approximately 50% of normal level. This reduces cooling fan operation to a very low level that is hardly audible in most situations.

Operation

Once the Stagebar 2 is connected and set up as described earlier in this manual, adjust color and intensity using the DMX controller following the applicable DMX protocol (see page 21).

Color control

See “Color control mode” on page 12 for a description of RGB, RGBAW, HSI and HSIC modes.

RGBAW is a ‘raw’ (i.e. uncalibrated) control mode. If the Stagebar 2 is set to RGBAW mode and you require precisely matched, even color, it may be necessary to compensate for small differences in LED color rendition by fine-tuning LED intensity on individual pixels at the controller. If this is inconvenient, switching to one of the other color control modes will give management of color mixing to the fixture software and deploy factory settings, thus restoring color evenness.

All five LED colors are active in all color control modes.

Stand-alone operation

In stand-alone operation, the Stagebar 2 can be programmed to run two types of display without the need for a DMX controller:

- A static color that you select by adjusting the intensity of the RGBAW pixels.
- Dynamic sequences of RGB, RGBAW or pastel colors that you can set to run at fast, medium or slow speed. Colors cross-fade (this means that one color fades smoothly into the next with an overlap) and each sequence repeats in a loop.

Programming stand-alone operation

Stand-alone operation is programmed in the **STAND ALONE** → **sa setup** control menu.

When stand-alone operation has been programmed, the Stagebar 2 runs the selected stand-alone display whenever it is powered on.

DMX override

If a Stagebar 2 receives a DMX signal during stand-alone operation, it stops its stand-alone display and obeys DMX commands. If the DMX signal is no longer received, the Stagebar 2 resumes stand-alone operation after a delay of approximately 5 seconds.

Service and maintenance



Warning! Read the “Safety Information” section that starts on page 3 before carrying out service or maintenance work on the Stagebar 2. Lock out power to the entire distribution system before servicing, cleaning or opening any cover. Refer any service operation not described here to a qualified service technician.

Important! Excessive dust, smoke fluid, and particle buildup degrades performance, causes overheating and will damage the fixture. Damage caused by inadequate cleaning or maintenance is not covered by the product warranty.

Important! As with electronic components in general, the Stagebar 2’s PCBs are sensitive to ESD (electrostatic discharge). Take precautions to avoid ESD damage during service.

Installation, on-site service and maintenance can be provided worldwide by the Martin Professional Global Service organization and its approved agents, giving owners access to Martin’s expertise and product knowledge in a partnership that will ensure the highest level of performance throughout the product’s lifetime. Please contact your Martin supplier for details.

To maximize the life of the Stagebar 2 and protect the investment it represents, clean the fixture regularly – especially the cooling fans and grilles – following the guidelines in this section.

It is Martin policy to use the best quality materials available to ensure optimum performance and the longest possible component lifetimes. However, optical components in all lighting fixtures are subject to wear and tear over the life of the fixture, resulting in gradual changes in color rendition, for example. The extent of wear and tear depends heavily on operating conditions, maintenance and environment, so it is impossible to specify precise lifetimes for optical components. However, you will eventually need to replace LEDs if their characteristics are affected by wear and tear after an extended period of use and if you require fixtures to perform within very precise optical and color parameters.

The manufacturer’s LED lifetime data is based on performance under the manufacturer’s test conditions. As with all LEDs, the gradual reduction in luminous output will be accelerated when LEDs are used in a fixture, where conditions are much tougher than in manufacturer’s testing. To maximize LED lifetimes, keep the ambient temperature as low as possible and drive the LEDs no harder and for no longer than necessary.

Adjustable floorstand/mounting bracket accessory

The adjustable mounting bracket available from Martin (P/N 71606007) as an accessory for the Stagebar 2 is designed for fastening to the quarter-turn mounting points on the back of the fixture (see Figure 1 on page 6). Turn quarter-turn fasteners a full 90° when installing the bracket.

The bracket can either be folded around the fixture and used as a floorstand, fastened directly to a surface or fastened to a rigging clamp for flying installation. Use at least two bolts, grade 8.8 minimum, if fastening to a surface.

Cleaning

Regular cleaning is essential for fixture life and performance. Buildup of dust, dirt, smoke particles, fog fluid residues, etc. degrades the fixture’s light output and cooling ability.

Cleaning schedules for lighting fixtures vary greatly depending on the operating environment. It is therefore impossible to specify precise cleaning intervals for the Stagebar 2. Cooling fans suck in airborne dust and smoke particles, and in extreme cases fixtures may require cleaning after surprisingly few hours of operation. Environmental factors that may result in a need for frequent cleaning include:

- Use of smoke or fog machines.
- High airflow rates (near air conditioning vents, for example).
- Presence of cigarette smoke.
- Airborne dust (from stage effects, building structures and fittings or the natural environment at outdoor events, for example).

If one or more of these factors is present, inspect fixtures within their first 25 hours of operation to see whether cleaning is necessary. Check again at frequent intervals. This procedure will allow you to assess cleaning requirements in your particular situation. If in doubt, consult your Martin dealer about a suitable maintenance schedule.

Do not use abrasive, caustic or solvent-based products for cleaning, as they can damage plastic or painted surfaces.



To clean the fixture:

1. Disconnect the fixture from power and allow it to cool for at least 10 minutes.
2. Vacuum or gently blow away dust and loose particles from the fan blades and grilles in the fixture's end caps with compressed air.
3. Clean the front cover with a soft cloth dampened in a warm water/detergent solution.
4. If the lens arrays require cleaning, remove them as described on page 17 and wash them in a hot water/detergent solution with a soft brush. Dry completely before reinstalling.
5. See Figure 3. If a cooling fan or grille requires more thorough cleaning, loosen the fan assembly retaining screw (arrowed) slightly and slide the assembly out of the end cap for access. Do not strain the wires to the fan. Brush dirt from the fan blades with a soft brush, preferably in conjunction with a vacuum cleaner.

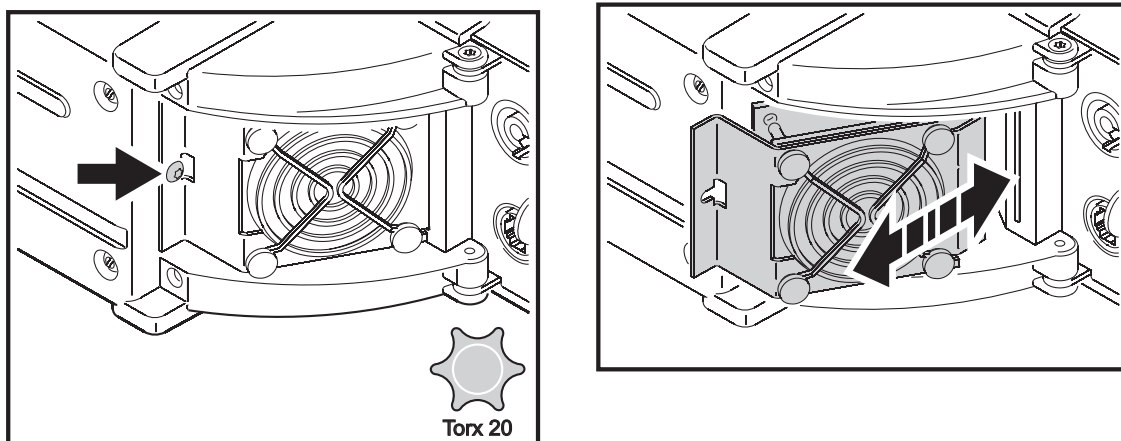


Figure 3: Cooling fan removal

6. Avoid trapping wires while reinstalling the fan assembly.

Removing and installing LED lens arrays

The LED lenses installed at the factory are constructed in arrays of 9 lenses. The lenses concentrate the LED output into a narrower beam angle. Lens arrays can be removed to give a broad beam and must be removed to obtain smooth color using the diffuser front.

To remove or install a lens array:

1. Isolate the fixture from power. If the fixture has been in use, allow it to cool for at least 10 minutes.
2. See Figure 4. Loosen the two captive screws (arrowed) on the end cap and swing the end cap open.

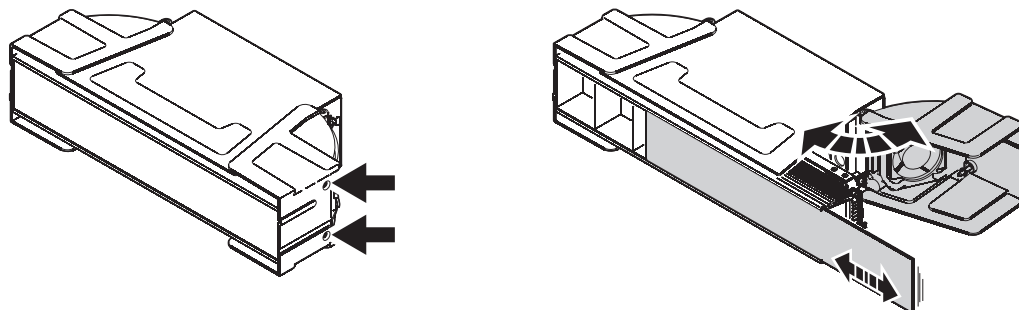


Figure 4: Access to front cover, reflector and lens arrays

3. Slide the front cover out of the fixture.

4. Lift the reflector out of the fixture.
5. See Figure 5. Lens arrays are retained by magnetic mountings. To remove a lens array, press on one side until you can grip the other side. Lift the lens array off the magnets and store for possible future use. To install a lens array, place it into position on its magnetic mounting posts and check that it is held securely.
6. Reinstall components in reverse order of disassembly before reconnecting the fixture to power.

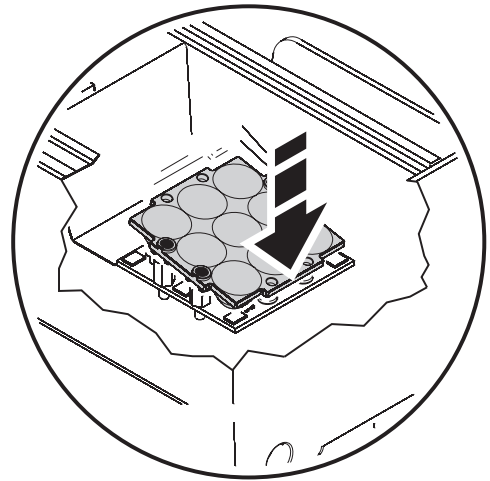


Figure 5: Removing a lens array

Installing and removing the opal front cover

The opal diffuser front cover supplied with the fixture makes the individual LEDs invisible, giving a surface with smooth color and a very wide beam angle. Before installing it, remove any lens arrays that are installed, or hot-spots will be visible on the opal front cover surface.

To install an opal front cover:

1. Isolate the fixture from power. If the fixture has been in use, allow it to cool for at least 10 minutes.
2. See Figure 4. Loosen the two captive screws (arrowed) on the end cap and swing the end cap open.
3. A clear front cover is installed at the factory. Slide it out of its slots in the front of the fixture and store it for possible re-use in future.
4. If lens arrays are installed, lift the reflector out of the fixture, remove the lens arrays as described under “Removing and installing LED lens arrays” on page 17 and reinstall the reflector.
5. Slide the opal front cover into the slots in the front of the fixture.
6. Close and fasten the end cap before reapplying power.

To remove an opal front cover:

1. Isolate the fixture from power. If the fixture has been in use, allow it to cool for at least 10 minutes.
2. See Figure 4. Loosen the two captive screws (arrowed) on the end cap and swing the end cap open.
3. Slide the opal front cover out of its slots in the front of the fixture and store it for possible re-use in future.
4. If you want to obtain a narrower beam angle when the opal front cover is not installed, install lens arrays as described under “Removing and installing LED lens arrays” on page 17.
5. Slide the clear front cover into the slots in the front of the fixture.
6. Close and fasten the end cap before reapplying power.

Installing diffuser filters

Diffuser filters ensure uniform color mixing and widen the beam angle. They are designed to be used with lens arrays and the clear front cover installed. A narrow-angle diffuser filter is supplied with the fixture. Sets containing 4 narrow-angle or 4 medium-angle diffuser filters are available from Martin as accessories for the Stagebar 2. Narrow diffusers are marked with one notch (or in early models, no notch) at one end, and medium diffusers are marked with two notches at one end.

To install a diffuser filter:

1. Isolate the fixture from power. If the fixture has been in use, allow it to cool for at least 10 minutes.
2. See Figure 4. Loosen the two captive screws (arrowed) on the end cap and swing the end cap open.
3. A clear front cover is installed at the factory. Slide it out of its slots in the front of the fixture.
4. Hold the diffuser filter against the inner side of the front cover so that the diffuser’s shiny side will face out of the fixture and its matt side will face in towards the LEDs, then slide the front cover and diffuser together into the slots in the front of the fixture, taking care not to damage the diffuser.
5. Close and fasten the end cap before reapplying power.

Fuse replacement



Warning! Disconnect from power before opening covers. Replace fuses with ones of the same type and rating only.

Primary fuse



Stagebar 2 fixtures are protected by a 4 amp slow-blow primary fuse located in a fuseholder on the rear panel (see Figure 1 on page 6). If a fixture is completely dead (apart from the battery-powered functions available in the control panel and display), the primary fuse may have blown.

To replace the primary fuse:

1. Disconnect the fixture from power and allow to cool for 10 minutes.
2. Using a flat-head screwdriver, turn the fuseholder cap counter-clockwise to release it, then remove the fuse.
3. Replace a defective fuse with one of the same type and rating only. Replacement primary fuses are available from Martin suppliers (P/N 05020016).
4. Reinstall the fuseholder before reapplying power.

Battery service

The onboard battery that provides power to the control panel and LCD display is recharged while the fixture is connected to AC power. If the battery has lost its charge over a long period with the fixture disconnected from AC power, the first remedy is to reconnect the fixture to power.

Due to natural aging, the battery will over time lose its ability to hold a charge. Eventually it will reach the end of its service life and require replacement. The battery is located immediately behind the bottom cover, attached to the chassis. Contact a Martin service technician for replacement.

Software installation

It may be necessary to upload new software to the Stagebar 2 if you believe that the product has a software-related fault or if you want to update to a newer version. Software updates are available from the Martin website (<http://www.martin.com>) and can be installed via the DMX data link with the following items:

- The Stagebar 2 main CPU software update file, downloadable free of charge from the Product Support area of the Martin website.
- The Martin Software Uploader program, version 5.0 or later, downloadable free of charge from the Product Support area of the Martin website.
- A Martin USB Duo DMX Interface or similar PC/fixture hardware interface and Windows PC (if you have access to a Martin MP-2 Uploader device, this can also be loaded with the Stagebar 2 main CPU software update file and used).

Installing software: normal method

1. Connect the uploader hardware to a Stagebar 2 fixture's data input connector. The software will be uploaded to that fixture and all Stagebar 2 fixtures that are powered on and connected via the DMX link.
2. Upload the fixture software as described in the uploader's help file or user documentation.
3. Disconnect the uploader hardware and reconnect the fixture to the DMX link.
4. Cycle power off and on. Check that the fixture resets correctly. If an error message appears in the display, cycle power off and on again and check that the fixture now resets correctly.

Installing software: boot mode upload

A boot mode upload must be carried out by a qualified professional only.

If you believe that a boot mode upload may be required (if the display is completely dead when power is applied, for example), or if the software notes call for a boot mode upload:

1. Isolate the fixture from power and open for access to the main PCB.
2. Locate the DIP switch on the main PCB and move pin 6 to ON.
3. Close all covers, reapply power and perform the upload as described above.
4. Isolate from power, open covers, set DIP switch pin 6 to OFF, close all covers and reapply power.

5. Check that the fixture resets correctly. If a checksum error occurs, cycle power off and on again and check that the fixture now resets correctly.

DMX protocols

In all the DMX protocols for the Stagebar 2, the start code is 0.

All pixels controlled together

The tables in this section explain DMX commands for a fixture with all its pixels controlled as one group (DMX MODE → Pixel grouping → All in the control panel).

RGB Mode, pixels = All

Channel	Value	Percent	Function
1	0 - 255	0 - 100%	Red Intensity 0 →100%
2	0 - 255	0 - 100%	Green Intensity 0 →100%
3	0 - 255	0 - 100%	Blue Intensity 0 →100%

RGBAW Mode, pixels = All

Channel	Value	Percent	Function
1	0 - 255	0 - 100%	Red Intensity 0 →100%
2	0 - 255	0 - 100%	Green Intensity 0 →100%
3	0 - 255	0 - 100%	Blue Intensity 0 →100%
4	0 - 255	0 - 100%	Amber Intensity 0 →100%
5	0 - 255	0 - 100%	White Intensity 0 →100%

HSI Mode, pixels = All

Channel	Value	Percent	Function
1	0 - 255	0 - 100	Hue Red → Orange → Amber → Yellow → Green → Cyan → Blue → Indigo → Violet → Magenta → Red
2	0 - 255	0 - 100	Saturation Zero (white) → Full saturation
3	0 - 255	0 - 100%	Intensity Intensity 0 →100%

HSIC Mode, pixels = All

Channel	Value	Percent	Function
1	0 - 255	0 - 100	Hue Red → Orange → Amber → Yellow → Green → Cyan → Blue → Indigo → Violet → Magenta → Red
2	0 - 255	0 - 100	Saturation Zero (white) → Full saturation
3	0 - 255	0 - 100%	Intensity Intensity 0 → 100%
4	0 - 255	0 - 100	Color Temperature Control 2000 - 10 000 K

Pixels controlled in groups

When a fixture's pixels are set to individual or grouped control (**DMX MODE** → **Pixel grouping** → **1, 2** or **3** in the control panel), the fixture uses one block of DMX channels per group.

For example, a Stagebar 2 RGBAW model with pixels that is:

- set to three groups of 2 pixels (**DMX MODE** → **Pixel grouping** → **2**), and
- set to RGB mode (**DMX MODE** → **Control mode** → **RGB**)

will use nine DMX channels as follows:

RGB Mode, pixels = 2

Channel	Value	Percent	Function
1	0 - 255	0 - 100%	Pixel group 1 Red Intensity 0 → 100%
2	0 - 255	0 - 100%	Pixel group 1 Green Intensity 0 → 100%
3	0 - 255	0 - 100%	Pixel group 1 Blue Intensity 0 → 100%
4	0 - 255	0 - 100%	Pixel group 2 Red Intensity 0 → 100%
5	0 - 255	0 - 100%	Pixel group 2 Green Intensity 0 → 100%
6	0 - 255	0 - 100%	Pixel group 2 Blue Intensity 0 → 100%
7	0 - 255	0 - 100%	Pixel group 3 Red Intensity 0 → 100%
8	0 - 255	0 - 100%	Pixel group 3 Green Intensity 0 → 100%
9	0 - 255	0 - 100%	Pixel group 3 Blue Intensity 0 → 100%

Table 2 on page 13 shows the number of channels required in all the DMX modes available in the Stagebar 2.

Onboard control panel menus

Default settings are shown in **bold print**

All temperatures are displayed in both °C and °F

Menu	Options	Notes	
ADDRESS	1 - X	Set the fixture's DMX address using up and down buttons (where X is the last useable address depending on the mode the fixture is set to)	
DMX MODE	control mode	HSI	HSI color control
		HSIC	HSIC color control
		RGB	RGB color control
		RGBAW	RGBAW color control
	pixel grouping	1	Individual control of pixels
		2	Pixels controlled in 3 groups of 2 pixels
		3	Pixels controlled in 2 groups of 3 pixels
		all	Pixels controlled in 1 group of 6 pixels (control all pixels at same time)
pixel invert	on	Pixels swapped left to right (1 moved to 6, 2 moved to 5, etc.)	
	off	Pixels normal	
STAND ALONE	sa setup	stand alone off	Disable stand-alone operation
		static colour	Enable static color display – select display intensity from 0 - 255 for white, amber, blue, green and/or red
		sa: rgb fade	Select slow, medium or fast RGB sequence
		sa: rgbaw fade	Select slow, medium or fast RGBAW sequence
		sa: pastel fade	Select slow, medium or fast pastel colors sequence
ADJUSTMENT	red	Manually set red intensity	
	green	Manually set green intensity	
	blue	Manually set blue intensity	
	amber	Manually set amber intensity	
	white	Manually set white intensity	
PERSONALITY	backlight	intensity	Set display backlight intensity to high , medium or low
		delay	Set time before display backlight goes into sleep mode to 15 secs. , 30 secs. or 2 mins.

Menu	Options	Notes	
FIXTURE INFO	softw. version	Display main fixture software versions	
	power on hours	resettable hours	Display number of hours fixture powered on since last reset (to reset, display hours then press Up key for 5 secs.)
		total hours	Display number of hours fixture powered on since manufacture (non-resettable)
	temp. mainboard	current	Display main PCB temperature
		max since reset	Display highest main PCB temperature since last fixture reset
		max recorded	Display highest main PCB temperature since manufacture
	temp. driver	current	Display current average driver PCB temperature
		max since reset	Display highest driver PCB temperature since last fixture reset
		max recorded	Display highest driver PCB temperature since manufacture
	temp. pixel	current	Display current average pixel PCB temperature
		max since reset	Display highest pixel PCB temperature since last fixture reset
		max recorded	Display highest pixel PCB temperature since manufacture
DMX LINK INFO	refresh rate	Display DMX signal refresh rate	
	link quality	Display DMX signal quality	
	start code	Display DMX start code	
	channel	Display DMX channel	
TEST SEQUENCE	run	Test all components in sequence	
UTILITIES (Hold Enter pressed in for 5 secs. to use this menu)	software upload	Set fixture to receive new software via DMX link	
	factory setting	Return fixture to factory default settings	
	fan mode	regulated	Set fans to thermostatically regulated operation
		full speed	Set fans to permanently on, full speed
	silent mode	enable	Light output intensity limited to approx. 50%.
disable		Light output intensity up to 100%	

Display messages

Message	Appears if...	What to do...
MERR	...there is an error communication with EEPROM memory	Contact Martin Service for assistance
F1ER F2ER	...there is a fan error on fan 1 or 2	Contact Martin Service for assistance
DTER	...there is a driver temperature sensor error	Contact Martin Service for assistance
PTER	...there is a pixel temperature sensor error	Contact Martin Service for assistance
FTCO	...the fixture temperature cutoff is activated	Clean fixture (especially fans and air vents), check that airflow around air vents is unobstructed, check ambient temperature. If this does not solve problem, contact Martin service for assistance.
D1CO D2CO D3CO D4CO D5CO D6CO	...there is a temperature error on a driver PCB (1 - 6 identifies the PCB involved, CO = Cutoff)	Contact Martin Service for assistance
P1CO P2CO P3CO P4CO P5CO P6CO	...there is a temperature error on a pixel PCB (1 - 6 identifies the PCB involved, CO = Cutoff)	Contact Martin Service for assistance
DPER	...there is a display programming error	Contact Martin Service for assistance
BALO	...the battery level is low	Apply power to fixture for several hours to recharge battery. If this does not solve problem, contact Martin Service for assistance.
DIER	...there is a display error	Contact Martin Service for assistance
DCER	...there is a driver board communication error	Contact Martin Service for assistance
RUER	...the fixture's unique I.D. (identification code) is missing from the fixture software or invalid	Contact Martin for assistance with obtaining and loading a new I.D.

Troubleshooting

Problem	Probable cause(s)	Remedy
Fixture is completely dead.	No power to fixture.	Check power and connections.
	Primary fuse blown (located in fuseholder on rear panel).	Isolate fixture from power. Check fuse and replace.
Fixture works normally but other fixtures connected to power output on rear panel are completely dead.	Power output circuit is defective (may have been overloaded).	Contact Martin Service for assistance.
One or more fixtures responds incorrectly to DMX control or does not respond at all.	Fault on DMX link.	Inspect connections and cables. Correct poor connections. Repair or replace damaged cables.
	Incorrect fixture addressing.	Check fixture is set to correct DMX mode. Check number of channels required by fixture's DMX mode and check fixture addresses.
	Fixture defective.	Have faulty fixture serviced by Martin service technician.
	Other device on DMX link defective.	Bypass devices on DMX link until the faulty device has been identified. Have faulty device tested and serviced by Martin service technician or device supplier.
One or more fixtures displays stand-alone sequences incorrectly or not at all.	Fixtures incorrectly set up.	Check settings in control menus.
	Fault on DMX link.	Inspect connections and cables. Correct poor connections. Repair or replace damaged cables.
	Incorrect fixture addressing.	Check number of channels required by fixture's DMX mode and check fixture addresses.
	Fixture defective.	Have faulty fixture serviced by Martin service technician.
	Other device on DMX link defective.	Bypass devices on DMX link until the faulty device has been identified. Have faulty device tested and serviced by Martin service technician or device supplier.
LEDs cut out intermittently.	Fixture is too hot.	Ensure free airflow around air vents. Clean fans and vents. Check that ambient temperature does not exceed maximum permitted level. Contact Martin for service.
LCD display dead when fixture is connected to power.	Fixture software is corrupted.	Contact Martin for assistance with boot mode software upload.
LCD display dead when fixture is not connected to power.	Onboard battery flat.	Connect to AC power to recharge battery.
	Battery defective or at end of service life.	Contact Martin for replacement.

Table 3: Troubleshooting

Stagebar 2™ specifications

Physical

Stagebar 2 S

Length	420 mm (16.5 in.)
Width	190 mm (7.5 in.)
Height	105 mm (4.1 in.)
Weight	5.5 kg (12.1 lbs.) without bracket

Stagebar 2 L

Length	630 mm (24.8 in.)
Width	190 mm (7.5 in.)
Height	105 mm (4.1 in.)
Weight	7.3 kg (16.1 lbs.) without bracket

Dynamic Effects

Color mixing	RGBAW, RGB, HSI, HSIC, 0 - 100% independently variable
--------------	--

Control and Programming

Control options	DMX, stand-alone
DMX channels	3 - 40
Pixel control grouping options	6 x 1 (individual), 3 x 2, 2 x 3, 1 x 6 (all pixels as one group)
Fixture setup	Onboard control panel and display
Stand-alone and master/slave programming	Onboard control panel and display
Display	Battery-powered backlit LCD, 2 x 16 character
16-bit control (internal)	RGBAW, RGB, HSI, HSIC color mixing
DMX protocol	USITT DMX512-A
Receiver	RS-485
Firmware update	Serial upload via DMX link

Optics

Light source	Cree XP-E high power emitters
Total LED power per bar	150 W
Even pitch across adjacent fixtures	Horizontal/vertical (Stagebar 2 L), horizontal (Stagebar 2 S)

Construction

Color	Black
Housing	Aluminum and steel
Finish	Electrostatic powder-coated
Protection rating	IP 20

Installation

Mounting points	Two 1/4-turn locks
Orientation	Any

Connections

AC power input	Neutrik PowerCon NAC3MPA input socket (blue)
AC power throughput	Neutrik PowerCon NAC3MPB output socket (grey)
DMX data in/out	.5-pin locking XLR

Electrical

AC power	100 - 240 V nominal, 50/60 Hz
Power supply unit	Integrated, auto-sensing multi-voltage
Primary fuse	4 AT slow blow

Typical power and current

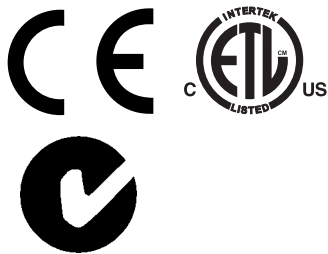
100 V, 50 Hz.	238 W, 2.5 A, PF 0.998
100 V, 60 Hz.	240 W, 2.5 A, PF 0.998
110 V, 60 Hz.	237 W, 2.3 A, PF 0.997
120 V, 60 Hz.	233 W, 2.1 A, PF 0.996
208 V, 60 Hz.	228 W, 1.2 A, PF 0.986
220 V, 50 Hz.	227 W, 1.1 A, PF 0.986
220 V, 60 Hz.	244 W, 1.3 A, PF 0.984
230 V, 50 Hz.	225 W, 1.1 A, PF 0.986
240 V, 50 Hz.	224 W, 1.0 A, PF 0.984

Figures apply to both S and L models. PF = power factor. Measurements made at nominal voltage with all LEDs at full intensity. Allow for a deviation of +/- 10%.

Thermal

Cooling.	Forced air
Maximum ambient temperature (Ta max.)	40° C (104° F)
Minimum ambient temperature (Ta min.)	5° C (41° F)
Maximum surface temperature, steady state, Ta=40° C	90° C (194° F)
Total heat dissipation (+/- 10%, calculated)	860 BTU/hr.

Approvals



EU safety.	EN 60598-2-17 (EN 60598-1), EN 62471
EU EMC.	EN 55103-1, EN 55103-2, EN 55015, EN 61547
US safety.	UL 1573
US EMC.	FCC Part 15 Class A
Canadian safety.	CAN/CSA E598-2-17 (CAN/CSA E60598-1)
Canadian EMC.	ICES-003 Class A
Australia/New Zealand.	C-TICK N4241

Included Items

Opal front cover	
Narrow diffuser filter	
Neutrik PowerCon NAC3FCA power input connector, cable mount, blue	P/N 05342804
Omega rigging clamp attachment bracket with quarter-turn fasteners	P/N 91602001
User manual	P/N 35000250

Accessories

Set of 4 Narrow diffuser filters, Stagebar 2 S.	P/N 91614035
Set of 4 Medium diffuser filters, Stagebar 2 S.	P/N 91614036
Set of 4 Narrow diffuser filters, Stagebar 2 L.	P/N 91614037
Set of 4 Medium diffuser filters, Stagebar 2 L.	P/N 91614038
Neutrik PowerCon NAC3FCA power input connector, cable mount, blue	P/N 05342804
Neutrik PowerCon NAC3FCB power output connector, cable mount, light grey	P/N 05342805
Adjustable floorstand/mounting bracket.	P/N 71606007

Related Items

Martin USB Duo™ DMX Interface Box	P/N 90703010
-----------------------------------	--------------

Spare Parts

Opal front cover, Stagebar 2 S.	P/N 41704080
Opal front cover, Stagebar 2 L.	P/N 41704060
Lens array with magnetic mounting.	P/N 41350049
4 AT primary fuse.	P/N 05020016

Ordering Information

Short model – 420 mm (16.5 in.)

Stagebar 2™ S, RGBAW.	P/N 90352070
----------------------------	--------------

Long model – 630 mm (24.8 in.)

Stagebar 2™ L, RGBAW.	P/N 90352090
----------------------------	--------------

Specifications subject to change without notice. See the Product Support pages at www.martin.com for the latest specifications, software updates, availability of accessories, etc.



www.martin.com • Olof Palmes Allé 18 • 8200 Aarhus N • Denmark
Tel: +45 8740 0000 • Fax +45 8740 0010