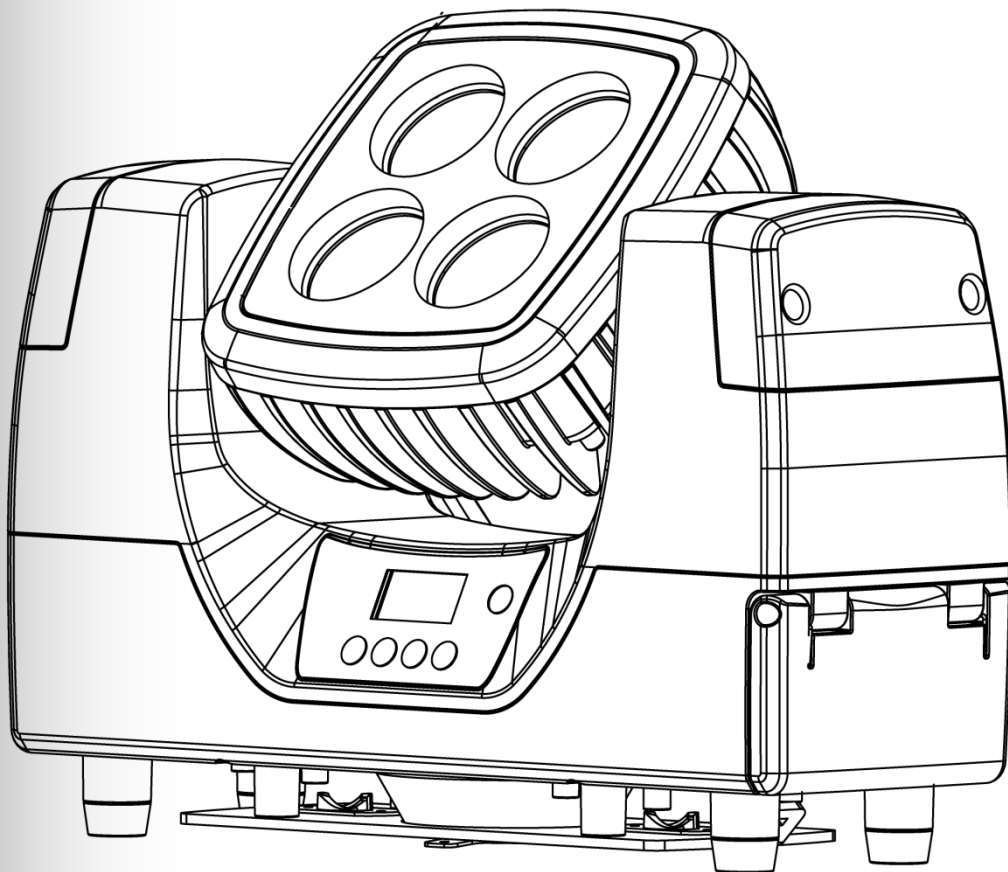


WELL™ FLEX

WIRELESS EVENT LED LUMINAIRE

User Manual




CHAUVET®
PROFESSIONAL

Edition Notes The WELL™ Flex User Manual Rev. 2 covers the description, safety precautions, installation, programming, operation, and maintenance of the WELL™ Flex. Chauvet released this edition of the WELL™ Flex User Manual in April 2015.

Trademarks CHAUVET® is a registered trademark of CHAUVET & Sons Inc. (d/b/a CHAUVET® or Chauvet). The CHAUVET® logo in its entirety including the CHAUVET® name and the dotted triangle, and all other trademarks in this manual pertaining to services, products, or marketing statements are owned or licensed by Chauvet. Any other product names, logos, brands, company names, and other trademarks featured or referred to within this document are the property of their respective trademark holders.

Copyright Notice Chauvet owns the content of this User Manual in its entirety, including but not limited to pictures, logos, trademarks, and resources.

© **Copyright 2015 Chauvet. All rights reserved.**

Electronically published by Chauvet in the United States of America.

Manual Use Chauvet authorizes its customers to download and print this manual for professional information purposes only. Chauvet expressly prohibits the usage, copy, storage, distribution, modification, or printing of this manual or its content for any other purpose without written consent from Chauvet.

Document Printing For better results, print this document in color, on letter size paper (8.5 x 11 in), double-sided. If using A4 paper (210 x 297 mm), configure your printer to scale the content accordingly.

Intended Audience Any person in charge of installing, operating, and/or maintaining this product should completely read through the guide that shipped with the product, as well as this manual, before installing, operating, or maintaining this product.

Disclaimer Chauvet believes that the information contained in this manual is accurate in all respects. However, Chauvet assumes no responsibility for any errors or omissions in this document. Chauvet reserves the right to revise and make changes to the content of this document without obligation that Chauvet notify any person or company of such revision or changes. This does not in any way constitute a commitment by Chauvet to make such changes. Chauvet may issue a revision of this manual or a new edition to incorporate such changes.

Document Revision The WELL™ Flex User Manual Rev. 2 supersedes all previous versions of this manual. Discard any older versions of this manual and replace with this version. Go to www.chauvetprofessional.com for the latest version.

Author	Date	Editor	Date
D. Coupe	4/1/15	M. Trouard	4/9/15

Table of Contents

- 1. Before You Begin 1**
 - What Is Included 1
 - Claims 1
 - Manual Conventions 1
 - Symbols 1
 - Product At A Glance 2
 - Safety Notes 2
 - Personal Safety 2
 - Mounting And Rigging 2
 - Power And Wiring 2
 - Operation 2
 - Expected LED Lifespan 2
- 2. Introduction 3**
 - Description 3
 - Features 3
 - Overview 4
 - Dimensions 5
- 3. Setup 6**
 - AC Power 6
 - AC Plug 6
 - Battery Charge Notes 6
 - Replacing the Fuse 6
 - DMX Linking 7
 - DMX Personalities 7
 - Master/Slave Connectivity 7
 - Wireless Operation 8
 - Initial Setup 8
 - Configuration 8
 - Product Pairing 8
 - Storage Notes 8
 - W-DMX™ Setup 8
 - Mounting 9
 - Orientation 9
 - Rigging 9
 - Procedure 9
- 4. Operation 10**
 - Control Panel Description 10
 - Control Options 10
 - Programming 10
 - Zoom Adjustment 10
 - Tilt Adjustment 10
 - Menu Map 11
 - Menu Map (Cont.) 12
 - Configuration (Standalone) 13
 - Automatic Programs 13
 - Fixed Static Color 13
 - Manual Static Color 13
 - Master/Slave 13
 - Dimmer Profiles 14
 - White Calibration 14
 - Backlight 14
 - Software Information 14
 - Fixture Hours 14

LED Test	14
Configuration (DMX)	15
DMX Personalities.....	15
DMX Control.....	15
Wireless Settings	15
DMX Values	16
DMX Values (Cont.).....	17
5. Technical Information	18
Product Maintenance.....	18
6. Technical Specifications.....	19
Returns	20
Contact Us	21

1. BEFORE YOU BEGIN

What Is Included

- WELL™ Flex (Six-pack charging case or single product)
- Neutrik® powerCON® power cord
- Rubber plug (for each product)
- Omega bracket with mounting hardware (for each product)
- Warranty Card
- Quick Reference Guide

Claims

Carefully unpack the product immediately and check the box to make sure all the parts are in the package and are in good condition.




If the box or the contents (the product and included accessories) appear damaged from shipping or show signs of mishandling, notify the carrier immediately, not Chauvet. Failure to report damage to the carrier immediately may invalidate your claim. In addition, keep the box and contents for inspection.

For other issues, such as missing components or parts, damage not related to shipping, or concealed damage, file a claim with Chauvet within 7 days of delivery.

Manual Conventions

Convention	Meaning
1–512	A range of values in the text
50/60	A set of mutually exclusive values in the text
<SET>	A button on the product’s control panel
Settings	A product function or a menu option
MENU>Settings	A sequence of menu options
1–10	A range of menu values from which to choose in a menu
Yes/No	A set of two mutually exclusive menu options in a menu
ON	A unique value to be entered or selected in a menu

Symbols

Symbols	Meaning
	Critical installation, configuration, or operation information. Failure to comply with this information may cause the product not to work, damage third-party equipment, or cause harm to the operator.
	Important installation or configuration information. Failure to comply with this information may keep the product from working.
	Useful information.



The term “DMX” used throughout this manual refers to the USITT DMX512-A digital data transmission protocol.

Product At A Glance	Use on Dimmer	X	Auto Programs	P
	Temporary Outdoor Use	P	Auto-Ranging Power Supply	P
	Master/Slave	P	Replaceable Fuse/Breaker	P
	DMX	P	User-Serviceable	X

Safety Notes

Read all the following Safety Notes before working with this product. These notes include important information about the installation, usage, and maintenance of this product.



This product contains no user-serviceable parts. Any reference to servicing in this User Manual will only apply to properly trained Chauvet certified technicians. Do not open the housing or attempt any repairs.



All applicable local codes and regulations apply to proper installation of this product.

Personal Safety

- Avoid direct eye exposure to the light source while the product is on.
- Always disconnect this product from its power source before servicing.
- Always connect this product to a grounded circuit to avoid the risk of electrocution.
- Do not touch this product’s housing during operation because it may be very hot.
- The product is not intended for permanent outdoor installation.
- The product is rated IP44 and should only be used in environments meeting that criteria.
- CAUTION: When transferring product from extreme temperature environments, (e.g. cold truck to warm humid ballroom) condensation may form on the internal electronics of the product. To avoid causing a failure, allow product to fully acclimate to the surrounding environment before connecting it to power.
- Mount this product in a location with adequate ventilation, at least 20 in (50 cm) from adjacent surfaces.
- Make sure there are no flammable materials close to this product while it is operating.
- Only use the hanging/mounting bracket or the handle to carry this product. Do not carry by the moving head.

Mounting And Rigging

Power And Wiring

Operation

- When hanging this product, always secure to a fastening device using a safety cable.
- Always make sure you are connecting this product to the proper voltage in accordance with the specifications in this manual or on the product’s specification label.
- To eliminate unnecessary wear and improve its lifespan, during periods of non-use completely disconnect the product from power via breaker or by unplugging it.
- Never connect this product to a dimmer pack or rheostat.
- Never disconnect this product by pulling or tugging on the power cable.
- Do not operate this product if you see damage on the housing, lenses, or cables. Have the damaged parts replaced by an authorized technician at once.
- Do not cover the ventilation slots when operating to avoid internal overheating.
- The maximum ambient temperature is 113 °F (45 °C). Do not operate this product at a higher temperature.
- In case of a serious operating problem, stop using this product immediately!



Expected LED Lifespan

In the unlikely event that your Chauvet product may require service, contact Chauvet Technical Support.

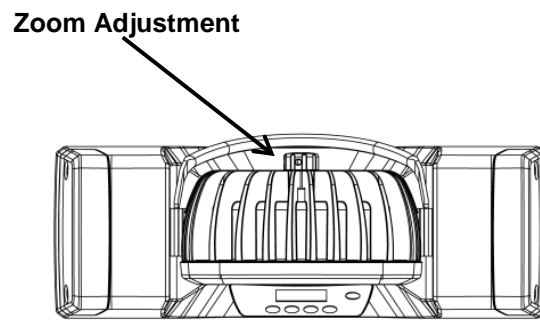
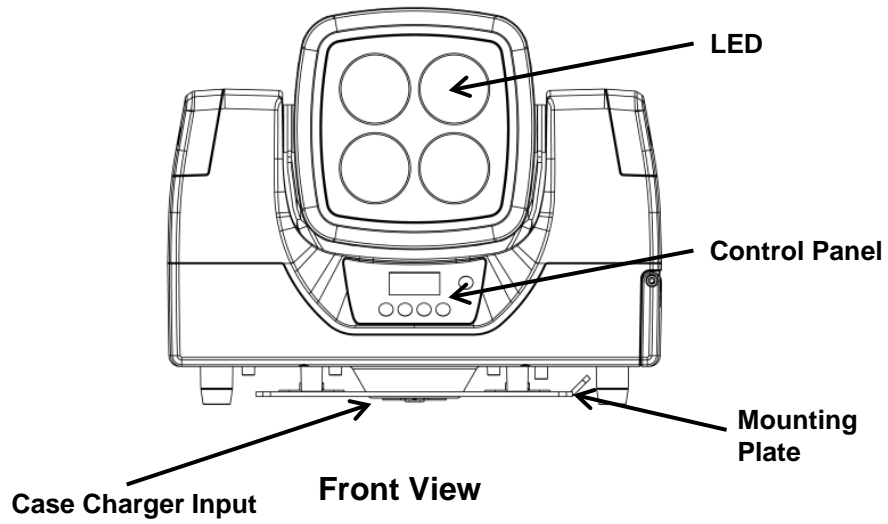
LEDs gradually decline in brightness over time, mostly because of heat. Packaged in clusters, LEDs exhibit higher operating temperatures than in ideal, single-LED conditions. For this reason, using clustered LEDs at their fullest intensity significantly reduces the LEDs’ lifespan. Under normal conditions, this lifespan can be 40,000 to 50,000 hours. If extending this lifespan is vital, lower the operating temperature by improving the ventilation around the product and reducing the ambient temperature to an optimal operating range. In addition, limiting the overall projection intensity may also help to extend the LEDs’ lifespan.

2. INTRODUCTION

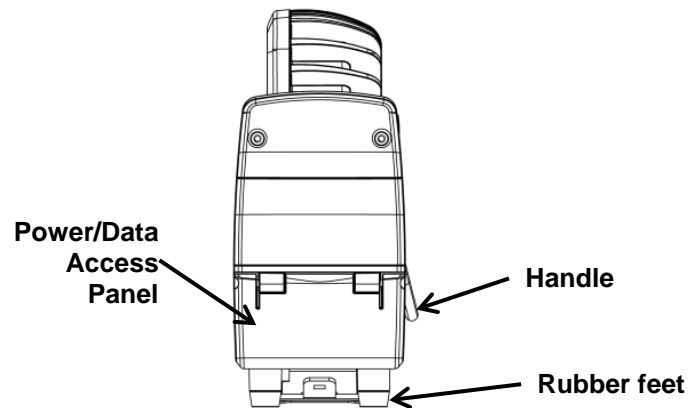
Description The WELL™ Flex is a 4- LED (quad-color RGBW) battery-powered wash product. It includes a lightweight body, tough frame, quick charging time, and endurance battery. The WELL™ Flex runs on a 12 V battery capable of running for over 12 consecutive hours. The 5-pin DMX in and out ports come standard, as well as a pre-installed Wireless Solutions W-DMX™ receiver. WELL™ Flex is also available in a 6-pack road case that doubles as the WELL™ Flex charging base.

- Features**
- 3-, 4-, 6- or 10-channel quad-color LED wash product
 - Operating modes:
 - 3-channel: HSI control
 - 3-channel: HSV control
 - 4-channel: RGBW
 - 6-channel: RGBW, dimmer, strobe
 - 10-channel: RGBW, dimmer, strobe, color macro/white balance, auto programs, dimmer speed, auto speed
 - Simple and complex DMX channel profiles for programming versatility
 - Four (4) dimming modes for versatility
 - Quick 8-hour charging time for frequent use
 - 5-pin DMX input/output connections
 - Neutrik® powerCON® power input connector
 - RGBW color mixing via DMX, W-DMX™, or manually
 - Built-in auto programs recalled via DMX and Master/Slave

Overview

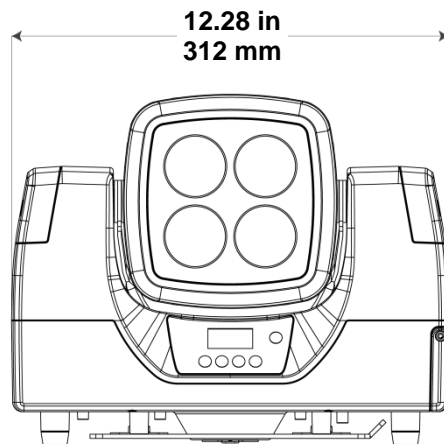
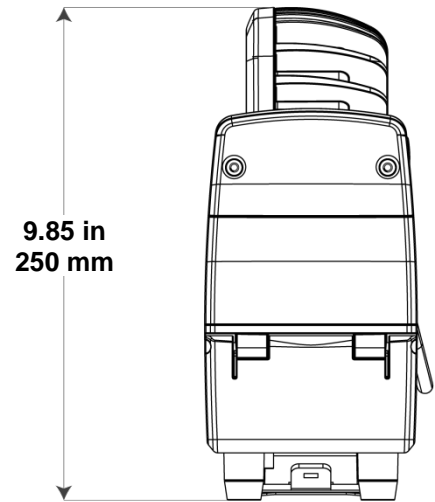
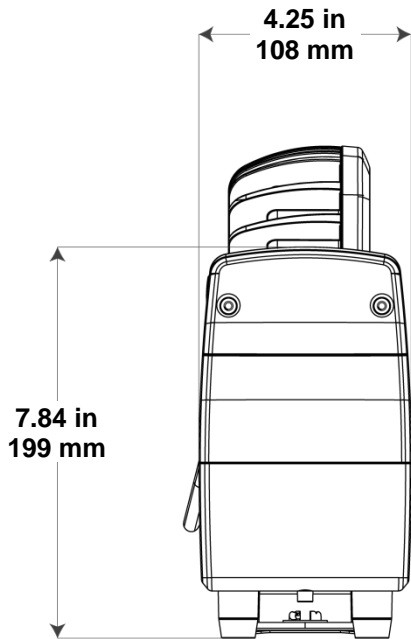


Rear View



Side View

Dimensions



3. SETUP

AC Power

Each WELL™ Flex has an auto-ranging battery charger, whether stand-alone or inside the flight case that works with an input voltage range of 100 to 240 VAC, 50/60 Hz. To determine the power requirements for each WELL™ Flex, refer to the label affixed to the product. You can also refer to the [Technical Specifications](#) chart in this manual.

The listed current rating indicates the maximum current draw during normal operation. For more information, you may download Sizing Circuit Breakers from the Chauvet website: www.chauvetprofessional.com.



- **Always connect this product to a protected circuit with an appropriate electrical ground to avoid the risk of electrocution or fire.**
- **To eliminate unnecessary wear and improve its lifespan, during periods of non-use completely disconnect the product from power via breaker or by unplugging it.**



Never connect this product to a rheostat (variable resistor) or dimmer circuit, even if the rheostat or dimmer channel serves only as a 0 to 100% switch.

AC Plug

The WELL™ Flex comes with a power input cord terminated with a Neutrik® powerCON® A connector on one end and an Edison plug on the other end (U.S. market). If the power input cord that came with your product has no plug, or if you need to change the Edison plug, use the table below to wire the new plug.

Connection	Wire (U.S.)	Wire (Europe)	Screw Color
AC Live	Black	Brown	Yellow or Brass
AC Neutral	White	Blue	Silver
AC Ground	Green/Yellow	Green/Yellow	Green

Battery Charge Notes

- Recharge the battery within three days from last use.
- Recharge the battery to full capacity before storing this product.
- For best results, charge the battery in a temperature between 32 °F (0 °C) and 95 °F (35 °C).
- When charging the battery, keep the product at no less than 1 m from any open flame or hot plate.
- When charging the battery inside the road case charger, keep the road case's cover open.
- Always charge the battery with the product in an upright position.
- Do not charge the battery for more than 24 hours.
- Perform a full discharge/recharge cycle every three months.



Be sure to remove the rubber plug from the bottom of the product before charging in the road case.

Replacing the Fuse

The WELL™ Flex has no external fuse. However, the road case charger comes with a replaceable fuse.

1. Disconnect this product from power.
2. Using a flat-head screwdriver, unscrew the fuse holder cap from the housing.
3. Remove blown fuse and replace with a good fuse of the same type and rating.
4. Screw the fuse holder cap back in place and reconnect power.

DMX Linking You can link the WELL™ Flex to a DMX controller using a 5-pin DMX connection. If using other DMX-compatible products with the WELL™ Flex, you can control each individually with a single DMX controller.

DMX Personalities The WELL™ Flex uses a 5-pin DMX data connection for the 3-, 4-, 6- and 10-channel DMX personalities.

- Refer to the [Introduction](#) chapter for a brief description of each DMX personality.
- Refer to the [Operation](#) chapter to learn how to configure the WELL™ Flex to work in these personalities.
- The [DMX Values](#) section provides you with detailed information regarding the DMX personalities.



If you are not familiar with or need more information about DMX standards, Master/Slave connectivity, or the DMX cables needed to link this product to a DMX controller, download the DMX Primer from the Chauvet website: www.chauvetprofessional.com.

Master/Slave Connectivity The Master/Slave mode allows a WELL™ Flex (the master) to control one or more WELL™ Flex's (the slaves) without a DMX controller. One WELL™ Flex becomes the master when running an auto program, or by being in a Static mode.

You must configure each slave's control panel to operate in Slave mode. During Master/Slave operation, the slaves will operate in unison with the master.



DO NOT connect a DMX controller to products operating in Master/Slave mode. The DMX controller signals may interfere with the signals from the master.



- **Master/Slave mode not available in wireless operation.**
- **The [Operation](#) section of this manual provides detailed instructions on how to configure the master and slaves.**

Wireless Operation

The WELL™ Flex can operate in W-DMX™ mode up to 50 m (164 ft) from the W-DMX™ transmitter. The W-DMX™ receiver in the WELL™ Flex must be paired with the W-DMX™ transmitter for wireless operation.

Initial Setup

1. Turn the W-DMX™ transmitter on.
2. Connect the W-DMX™ transmitter to a DMX controller.
3. Place the WELL™ Flex within 50 m from the W-DMX™ transmitter.
4. Disconnect any DMX cable from the WELL™ Flex.
5. Turn the WELL™ Flex on.

Configuration

1. From the WELL™ Flex's control panel, go to **DMX Address**.
2. Select the start address, as with any other DMX compatible product.
3. Go to **Wireless Setting > Receive**.
4. Select **On**. (The Signal Strength Indicator will show a ? in front of the bars)
5. Press the reset button on the W-DMX™ transmitter. (The Signal Strength Indicator on the WELL™ Flex will show a ⚡ in front of the bars for 3 seconds while a connection is established.)

Product Pairing

If the WELL™ Flex has already been paired with the W-DMX™ transmitter, the Signal Strength Indicator in the middle of the LCD screen will show the strength of the signal. In this case, the WELL™ Flex is ready to work in Wireless mode.

Pairing the WELL™ Flex and a new W-DMX™ transmitter:

1. From the WELL™ Flex's control panel, go to **Wireless Setting**.
2. Select **Reset**. The Signal Strength Indicator on the WELL™ Flex will show a ? in front of the bars.
3. From the W-DMX™ transmitter, press **<RESET>** (the Signal Indicator on the transmitter will flash).
4. Once the transmitter has found the WELL™ Flex, the Signal indicator on the W-DMX™ transmitter will illuminate solid.
5. The Signal Strength Indicator in the middle of the LCD screen on the WELL™ Flex will show the strength of the signal.

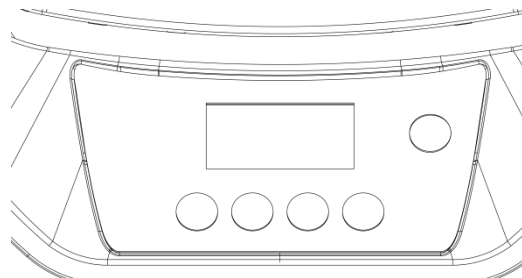
Storage Notes

- Recharge the battery to full capacity before storing the product.
- Store charged product(s) in a dry environment, away from direct sunlight.

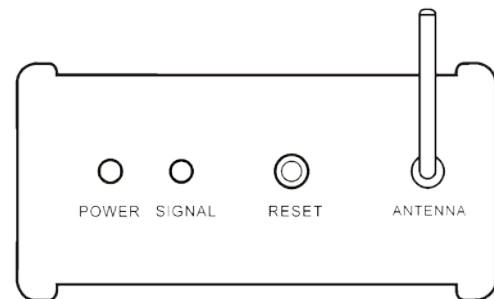


W-DMX™ operation can be interrupted or inhibited by liquid masses between the transmitter and receiver such as water, snow, or people. For best results, keep the area between the transmitter and receiver clear of any liquid mass.

W-DMX™ Setup



Control Panel



W-DMX™ Transmitter

Mounting Before mounting this product, read and follow the [Safety Notes](#). For our CHAUVET® Professional line of mounting clamps, go to <http://trusst.com/products/>.

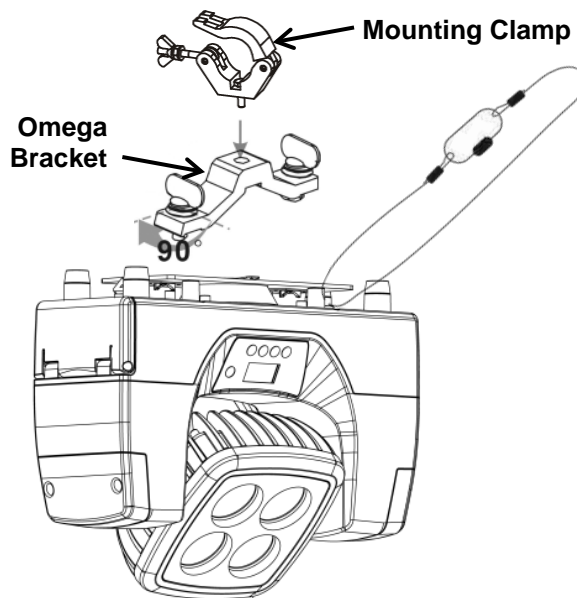
Orientation Always mount this product in a safe position and make sure there is adequate room for ventilation, configuration, and maintenance.

Rigging Chauvet recommends using the following general guidelines when mounting this product.

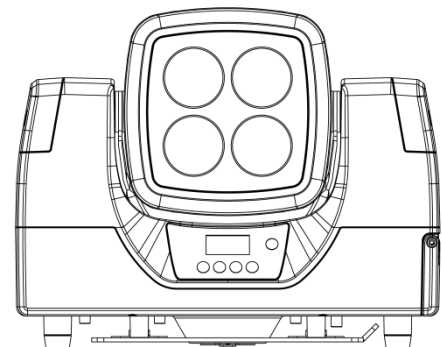
- When selecting an installation location, consider easy access to this product for operation, programming adjustments, and routine maintenance.
- The product is not intended for permanent outdoor installation.
- Make sure to mount this product away from any flammable material as indicated in the [Safety Notes](#).
- Never mount in places where rain, high humidity, extreme temperature changes, or restricted ventilation may affect the product. (IP44)
- If hanging this product, make sure that the mounting location can support the product's weight. See the [Technical Specifications](#) for the weight-bearing requirements of this product.
- When hanging this product, always secure to a fastening device using a safety cable. For our CHAUVET® Professional line of safety cables, go to <http://trusst.com/products/>.

Procedure The WELL™ Flex comes with preinstalled mounting to which you will be able to attach the included omega bracket. Use one mounting point per product. In addition, use a safety cable to link the product to the structure. You must supply your own mounting clamps. Make sure the clamps are capable of supporting the weight of this product. Use at least one mounting point per product. For our Chauvet line of mounting clamps, go to <http://trusst.com/products/>. You may also choose to simply set the WELL™ Flex on the floor using the rubber feet on the bottom of the product

Mounting Diagram



Overhead Mounting



Floor Mounting



When using only one mounting clamp, be sure to use a clamp with a captive bolt to prevent accidental loosening.

4. OPERATION

Control Panel Description

Button	Function
<ON/OFF>	Press and hold to turn product on or off
<MENU>	Exits from the current menu or function
<ENTER>	Enables the currently displayed menu or sets the currently selected value in to the current function
<UP>	Navigates upward through the menu list or increases the numeric value when in a function
<DOWN>	Navigates downward through the menu list or decreases the numeric value when in a function

Control Options

You can set the WELL™ Flex starting address in the **001–512** DMX range. This enables control of up to 51 products in the 10-channel **10Ch** personality.

Programming

Refer to the [Menu Map](#) to understand the menu options. The menu map shows the main level and a variable number of programming levels for each option.

- To go to the desired main level, press **<MENU>** repeatedly until the option shows on the display. Press **<ENTER>** to select. This will take you to the first programming level for that option.
- To select an option or value within the current programming level, press **<UP>** or **<DOWN>** until the option shows on the display. Press **<ENTER>** to select. In this case, if there is another programming level, you will see that first option, or you will see the selected value.
- Press **<MENU>** repeatedly to exit to the previous main level.

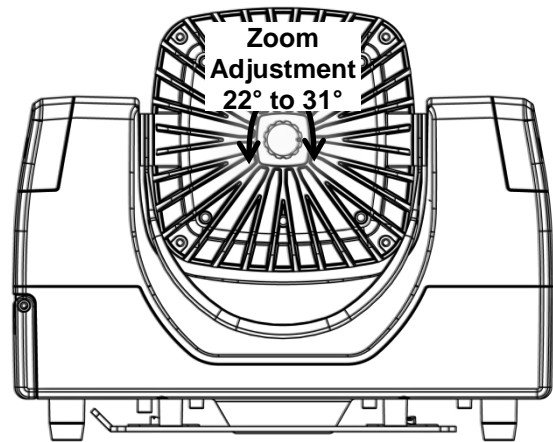
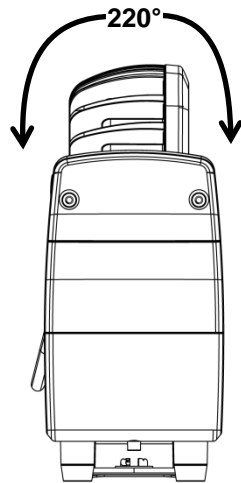
Zoom Adjustment

You can manually adjust the zoom angle of the WELL™ Flex by adjusting the knob on the back of the head. Turning the knob clockwise will narrow the beam while turning the knob counter clockwise will widen the beam.

Tilt Adjustment

The head of the WELL™ Flex can be manually adjusted up to 220°.

Procedure



Menu Map

Main Level	Programming Levels			Description	
Auto Show	Auto 0–4	Speed	0–100	Automatic programs and speed	
Static	Fixed Color	R		Red	
		G		Green	
		B		Blue	
		W		White	
		GB		Green/Blue	
		RB		Red/Blue	
		RG		Red/Green	
		RGB		Red/Green/Blue	
		RW		Red/White	
		GW		Green/White	
		BW		Blue/White	
		RGW		Red/Green/White	
		RBW		Red/Blue/White	
	GBW		Green/Blue/White		
	RGBW		Red/Green/Blue/White		
	Manual Color	R	Value	0–255	Combines red, green, blue, and white to make a custom color (0–100%)
		G			
		B			
		W			
Dimmer Mode	Off			No dimmer	
	Dimmer 1–3			Dimming curves Dimmer 1 (fast) to Dimmer 3 (slow)	
Back Light	10S			Turns off display backlight after 10 sec of inactivity	
	20S			Turns off display backlight after 20 sec of inactivity	
	30S			Turns off display backlight after 30 sec of inactivity	
	On			Display backlight always on	
Information	Test			Turns on all LEDs in sequence for testing	
	Fixture Hours			Shows total product hours	
	Version			Shows installed software version	

Menu Map (Cont.)

Main Level	Programming Levels				Description
DMX Address	001–512				Selects DMX address (highest channel restricted to personality chosen)
DMX Channel	4 Ch				4-channel: RGBW control
	6 Ch				6-channel: RGBW control, dimmer, and strobe
	10Ch				10-channel: RGBW control, dimmer, strobe, color macro/white balance, auto programs, auto speed, dimmer speed
	HSV				3-channel: HSV control
	HSI				3-channel: HSI control
Master/Slave Mode	Master				DMX mode (Master)
	Slave				Slave mode
Wireless Setting	Receive	On			Turns wireless DMX function on/off
		Off			
	Reset				Resets the wireless setting
White Balance	Balance	R	Value	125–255	Sets red LED maximum value
		G			Sets green LED maximum value
		B			Sets blue LED maximum value

Configuration (Standalone) Use standalone configuration to operate the product without a DMX controller.

- Automatic Programs** Automatic programs allow for dynamic RGBW color mixing without a DMX controller.
1. Go to the **Auto Show** main level.
 2. Select the desired automatic (**Auto 0–4**) program.
 3. Go to the **Speed** programming level.
 4. Select the desired speed **0–100**.



You cannot edit any of the automatic programs (Auto 0–4).

- Fixed Static Color** The fixed static color mode allows for preset RGBW color mixing without a DMX controller.
1. Go to the **Static** main level.
 2. Select the **Fixed Color** programming level.
 3. Select the desired color combination. See [Menu Map](#).

- Manual Static Color** The manual static color mode allows for manually customizable RGBW color mixing without a DMX controller.
1. Go to the **Static** main level.
 2. Select the **Manual Color** programming level.
 3. Select the desired color **R, G, B** or **W**.
 4. Go to the **Value** programming option.
 5. Select the desired color value **0–255** (0–100%).
 6. Repeat for the other colors.

- Master/Slave** The Master/Slave mode allows a group of WELL™ Flex's (the slaves) to simultaneously duplicate the output of another WELL™ Flex (the master) without a DMX controller.
1. Set each of the slaves:
 - a. Go to the **Master/Slave Mode** main level.
 - b. Select **Slave**.
 2. Set the master:
 - a. Go to the **Master/Slave Mode** main level.
 - b. Select **Master**.
 - c. Select an automatic program as explained in [Automatic Programs](#), or a static mix of colors as explained in [Fixed Static Color](#) or [Manual Static Color](#).
- **The master is the one that runs a program whether in automatic programs, fixed static color or manual static color modes.**
 - **Do not connect a DMX controller to the products configured for Master/Slave operation. The DMX controller may interfere with signals from the master.**
 - **The master should be the first product in the daisy chain.**



Dimmer Profiles This setting determines how fast the output of the WELL™ Flex changes when you modify the values of the red, green, blue, white, and dimmer faders. This setting provides three different options to simulate the dimming curve of an incandescent lighting product.

1. Go to the **Dimmer Mode** main level.
2. Select a dimmer profile (**Off**, **Dimmer 1**, **Dimmer 2**, or **Dimmer 3**).



OFF: The output is proportional (linear) to the dimmer and RGBW channel values.

Dimmer 1–3: The output follows the dimmer and RGBW channel values based on the corresponding dimmer curve, **Dimmer 1** being the fastest and **Dimmer 3** the slowest.

White Calibration This setting allows you to select the white color shown by the WELL™ Flex when the DMX controller's red, green, and blue faders are set to **255**.

1. Go to the **White Balance** main level.
2. Go to **Balance**.
3. Select a color (**R**, **G**, or **B**).
4. Go to **Value**.
5. Select a color value (**125–255**).
6. Repeat for the other colors.



When selecting **White Balance**, you will only be able to define the values of red (**R**), green (**G**), and blue (**B**).



The values of red (**R**), green (**G**), and blue (**B**) configured from **White Balance** will define the color temperature shown when the RGB faders are set to **255**.

Backlight This setting allows you to set the amount of time the backlight on the WELL™ Flex's display stays on after the last button is pressed on the control panel.

1. Go to the **BackLite** main level.
2. Select **On** (remains on), **10S** (10 seconds), **20S** (20 seconds), or **30S** (seconds).

Software Information This option shows what version of software the WELL™ Flex is running.

1. Go to the **Information** main level.
2. Select **Version** and the version number will show on the display.

Fixture Hours This option shows the total amount of hours the WELL™ Flex has been turned on.

1. Go to the **Information** main level.
2. Select **Fixture Hours** and the total number of hours will show on the display.

LED Test This option runs a check of the LEDs on the WELL™ Flex by turning on all the LEDs in sequence.

1. Go to the **Information** main level.
2. Select **Test** programming level.

Configuration (DMX) Use DMX configurations to operate the product with a DMX controller.

- DMX Personalities** This setting allows you to choose a particular DMX personality.
1. Go to the **DMX Channel** main level.
 2. Select the desired personality (**4 Ch**, **6 Ch**, **10Ch**, **HSI**, or **HSV**).



- See the [DMX Values](#) section for the highest starting address you can select for each personality.
- Make sure that the starting addresses on the various products do not overlap due to the new personality setting.

- DMX Control** In this mode, each product will respond to a unique starting address from the DMX controller. All products with the same starting address will respond in unison.
1. Select a DMX personality as shown in [DMX Personalities](#).
 2. Set the starting address:
 - a. Go to **DMX Address** main level.
 - b. Select the starting address (**001–512**).

The highest recommended starting address for each DMX mode is as follows:



DMX Personality	DMX Address
4 Ch	509
6 Ch	507
10Ch	503
HSI	510
HSV	510

- Wireless Settings** This mode allows you to control DMX wirelessly. For detailed setup of this feature see [Wireless Operation](#). To disable this feature:
1. Go to **Wireless Setting > Receive**.
 2. Select **Off**.

DMX Values

10Ch

Channel	Function	Value	Percent/Setting
1	Dimmer	000 ó 255	0–100%
2	Red	000 ó 255	0–100%
3	Green	000 ó 255	0–100%
4	Blue	000 ó 255	0–100%
5	White	000 ó 255	0–100%
6	Strobe	000 ó 010 011 ó 255	No function Slow to fast
7	Color Macro + White Balance	000 ó 010 No function 011 ó 030 R: 100% G: 0–100% B: 0 031 ó 050 R: 100%–0 G: 100% B: 0 051 ó 070 R: 0 G: 100% B: 0–100% 071 ó 090 R: 0 G: 100%–0 B: 100% 091 ó 110 R: 0–100% G: 0 B: 100% 111 ó 130 R: 100% G: 0 B: 100%–0 131 ó 150 R: 100% G: 0–100% B: 0–100% 151 ó 170 R: 100%–0 G: 100%–0 B: 100% 171 ó 200 R: 100% G: 100% B: 100% W: 100% 201 ó 205 White 1 206 ó 210 White 2 211 ó 215 White 3 216 ó 220 White 4 221 ó 225 White 5 226 ó 230 White 6 231 ó 235 White 7 236 ó 240 White 8 241 ó 245 White 9 246 ó 250 White 10 251 ó 255 White 11	
8	Auto Programs	000 ó 051 No function 052 ó 101 Auto 1 102 ó 152 Auto 2 153 ó 203 Auto 3 204 ó 254 Auto 4 255 Auto 5	
9	Auto Speed	000 ó 255	Slow to fast
10	Dimmer Speed	000 ó 051 Preset dimmer speed from display menu 052 ó 101 Linear dimmer 102 ó 152 Nonlinear dimming curve 1 (fastest) 153 ó 203 Nonlinear dimming curve 2 204 ó 255 Nonlinear dimming curve 3 (slowest)	

DMX Values (Cont.)

6 Ch	Channel	Function	Value	Percent/Setting
	1	Dimmer	000 ó 255	0–100%
	2	Red	000 ó 255	0–100%
	3	Green	000 ó 255	0–100%
	4	Blue	000 ó 255	0–100%
	5	White	000 ó 255	0–100%
	6	Strobe	000 ó 010 011 ó 255	No function Slow to fast

4 Ch	Channel	Function	Value	Percent/Setting
	1	Red	000 ó 255	0–100%
	2	Green	000 ó 255	0–100%
	3	Blue	000 ó 255	0–100%
	4	White	000 ó 255	0–100%

HSV	Channel	Function	Value	Percent/Setting
	1	Hue	000 ó 255	0–100%
	2	Saturation	000 ó 255	0–100%
	3	Value	000 ó 255	0–100%

HSI	Channel	Function	Value	Percent/Setting
	1	Hue	000 ó 255	0–100%
	2	Saturation	000 ó 255	0–100%
	3	Intensity	000 ó 255	0–100%

5. TECHNICAL INFORMATION

Product Maintenance

To maintain optimum performance and minimize wear, you should clean this product frequently. Usage and environment are contributing factors in determining the cleaning frequency.

As a rule, clean this product at least twice a month. Dust build-up reduces light output performance and can cause overheating. This can lead to reduced light source life and increased mechanical wear.

To clean your product:

1. Unplug the product from power.
2. Wait until the product is at room temperature.
3. Use a vacuum (or dry compressed air) and a soft brush to remove dust collected on the external vents.
4. Clean all external surfaces with a mild solution of non-ammonia glass cleaner or isopropyl alcohol.
5. Apply the solution directly to a soft, lint-free cotton cloth or a lens cleaning tissue.
6. Wipe any dirt or grime to the outside edges of the lens surface.
7. Gently polish the lens surfaces until they are free of haze and lint.



Always dry the external surfaces thoroughly and carefully after cleaning them.

6. TECHNICAL SPECIFICATIONS

Dimensions and Weight	Length	Width	Height	Weight
	4.25 in (108 mm)	12.28 in (312 mm)	9.85 in (250 mm)	12 lb (5.4 kg)
Note: Dimensions in inches rounded to the nearest decimal digit.				
Power	Power Supply Type	Range		Voltage Selection
	Switching (internal)	100–240 VAC, 50/60 Hz		Auto-ranging
	Parameter	120 VAC, 60 Hz		230 VAC, 50 Hz
	Consumption (Single Product)	68 W		82 W
	Consumption (Flight Case)	364 W		487 W
	Operating (Single Product)	0.57 A		0.35 A
	Operating (Flight Case)	2.9 A		1.3 A
	Fuse (Flight Case)	T 5 A, 250 V		T 5 A, 250 V
	Power I/O	U.S./Canada		Worldwide
	Power input connector (Single product)	Neutrik® powerCON® A		Neutrik® powerCON® A
Power input connector (Flight case)	Neutrik® powerCON® A		Neutrik® powerCON® A	
Power cord plug	Edison (U.S.)		Local plug	
Light Source	Type	Power		Lifespan
	LED	10 W		50,000 hours
	Color	Quantity		Current
	Quad-color RGBW	4		750 mA
Photometrics	Parameter	Narrow		Wide
	Illuminance @ 5 m	533 lux		510 lux
	Beam angle	12°		18°
	Field angle	22°		31°
Thermal	Max. External Temperature	Cooling System		
	113 °F (45 °C)	Convection		
DMX	I/O Connectors	Connector Type		Channel Range
	5-pin XLR	Sockets		3, 4, 6 or 10
Ordering	Product Name	Item Code		UPC Number
	WELL™ Flex	03030873		781462212216
	WELL™ Flex x6	03030874		781462212223



Returns You must send the product prepaid, in the original box, and with the original packing and accessories. Chauvet will not issue call tags.

Call Chauvet and request a Return Merchandise Authorization (RMA) number before shipping the product. Be prepared to provide the model number, serial number, and a brief description of the cause(s) for the return.

Clearly label the package with an RMA number. Chauvet will refuse any product returned without an RMA number.



DO NOT write the RMA number directly on the box. Instead, write it on a properly affixed label.

Once you have received the RMA number, include the following information on a piece of paper inside the box:

- Your name
- Your address
- Your phone number
- The RMA number
- A brief description of the problem(s)

Be sure to pack the product properly. Any shipping damage resulting from inadequate packaging will be the customer's responsibility. FedEx packing or double-boxing is recommended.



Chauvet reserves the right to use its own discretion to repair or replace returned product(s).

CONTACT Us

WORLD HEADQUARTERS - Chauvet

General Information

Address: 5200 NW 108th Avenue
Sunrise, FL 33351
Voice: (954) 577-4455
Fax: (954) 929-5560
Toll free: (800) 762-1084

Technical Support

Voice: (954) 577-4455 (Press 4)
Fax: (954) 756-8015
Email: tech@chauvetlighting.com

World Wide Web www.chauvetlighting.com

UNITED KINGDOM AND IRELAND - Chauvet Europe Ltd.

General Information

Address: Unit 1C
Brookhill Road Industrial Estate
Pinxton, Nottingham, UK
NG16 6NT
Voice: +44 (0)1773 511115
Fax: +44 (0)1773 511110

Technical Support

Email: uktech@chauvetlighting.com

World Wide Web www.chauvetlighting.co.uk

MEXICO - Chauvet Mexico

General Information

Address: Av. Santa Ana 30
Parque Industrial Lerma
Lerma, Mexico C.P. 52000
Voice: +52 (728) 285-5000

Technical Support

Email: servicio@chauvet.com.mx

World Wide Web www.chauvet.com.mx

CHAUVET EUROPE - Chauvet Europe BVBA

General Information

Address: Stokstraat 18
9770 Kruishoutem
Belgium
Voice: +32 9 388 93 97

Technical Support

Email: Eutech@chauvetlighting.eu

World Wide Web www.chauvetlighting.eu

Outside the U.S., United Kingdom, Ireland, Mexico, or Benelux contact the dealer of record. Follow their instructions to request support or to return a product. Visit our website for contact details.